

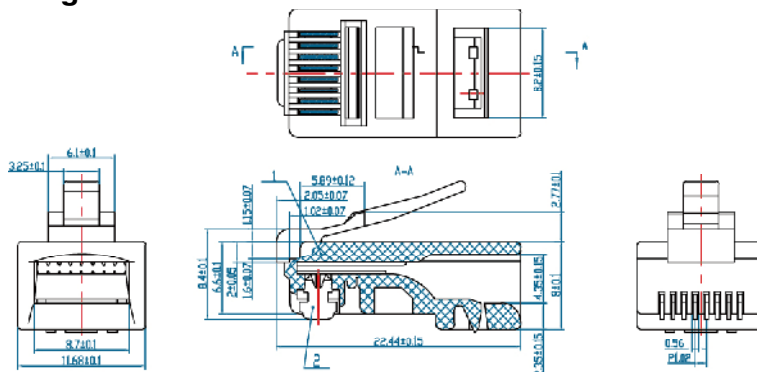
Art No. MP0002

## CAT-5 Modular Plug, unshielded

### Specification:

- CAT5e modular plug
- Suitable for 8P8C round cables
- Unshielded plug
- Material:  
Housing: UL 94V-2  
Contact: Phosphor Bronze, Hard Gold Plated over Nickel
- Insulation Resistance: 500M  $\Omega$ Min.
- Durability: 750 Mating Cycles Min.
- Gold-plated contacts, Gold Flash
- Package unit: 100 pieces

### Diagram:



### Packaging Information:

- PE Bag Dimension: 130x150 mm
- Packing Weight: 0.15kg
- Carton Dimension: 520x415x310 mm
- One Pack = 100pieces
- Carton Q'ty: 100packs
- Carton Weight: 16kgs



\* The specifications and pictures are subject to change without notice.  
\*All trade names referenced are the registered network of their respective owners.

