

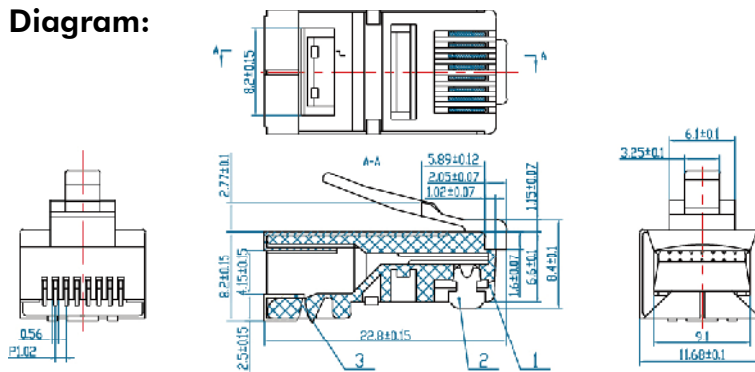
Art No. MP0003

## CAT-5 Modular Plug, shielded

### Specification:

- CAT5e modular plug
- Suitable for 8P8C round cables
- Shielded plug
- Material:  
Housing: UL 94V-2  
Contact: Phosphor Bronze, Hard Gold Plated over Nickel  
Shielding: 0.25mm thickness with Copper alloy over Tin plated
- Insulation Resistance: 500M  $\Omega$ Min.
- Durability: 750 Mating Cycles Min.
- Gold-plated contacts, Gold Flash
- Package unit: 100 pieces

### Diagram:



### Packaging Information:

- PE Bag Dimension: 180x220 mm
- Packing Weight: 0.22kg
- Carton Dimension: 520x410x300 mm
- One Pack = 100pieces
- Carton Q'ty: 100packs
- Carton Weight: 23kgs



\* The specifications and pictures are subject to change without notice.  
\*All trade names referenced are the registered network of their respective owners.



RoHS  
compliant



Made in China