

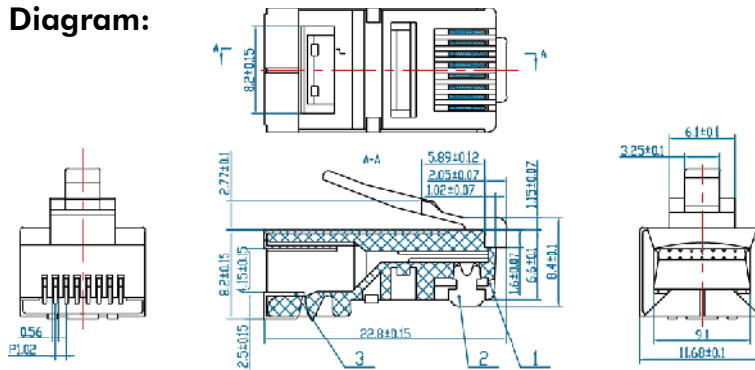
Art No. MP0003

CAT-5 Modular Plug, shielded

Specification:

- CAT5e modular plug
- Suitable for 8P8C round cables
- Shielded plug
- Material:
Housing: UL 94V-2
Contact: Phosphor Bronze, Hard Gold Plated over Nickel
Shielding: 0.25mm thickness with Copper alloy over Tin plated
- Insulation Resistance: 500M Ω Min.
- Durability: 750 Mating Cycles Min.
- Gold-plated contacts, Gold Flash
- Package unit: 100 pieces

Diagram:



Packaging Information:

- PE Bag Dimension: 180x220 mm
- Packing Weight: 0.22kg
- Carton Dimension: 520x410x300 mm
- One Pack = 100pieces
- Carton Q'ty: 100packs
- Carton Weight: 23kgs



* The specifications and pictures are subject to change without notice.
*All trade names referenced are the registered network of their respective owners.



RoHS
compliant



Made in China