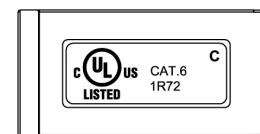
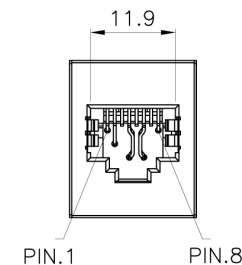
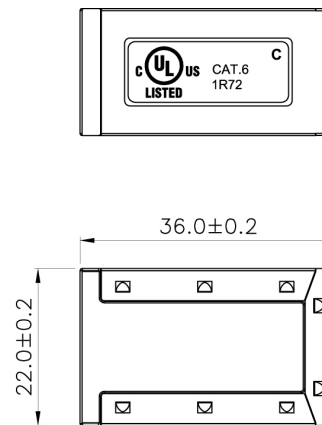
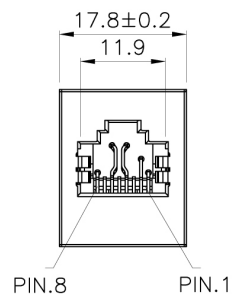
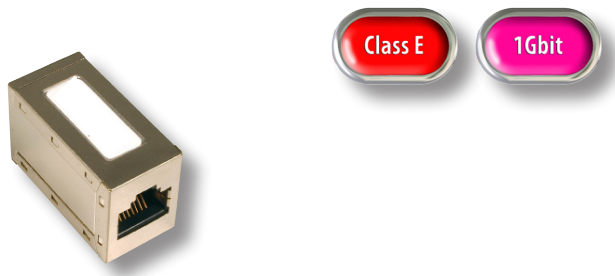


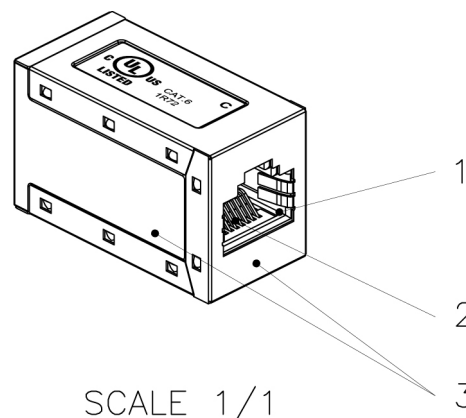
Cat.6 Modular Adapter STP



Art.-No. Type
37489.1 Metal housing, Cat.6 RJ45 8/8 jacks STP

- Jack/jack Cat.6
- 1:1 wired

Technical data	
Insertion force	<= 30N (IEC 60603-7-5)
Contact durability (RJ45 side)	>= 750
Retention strength (jack/plug)	7.7 kg
Housing	ABS, UL 94V-0,
Jack material	PBT+glasfiber, UL94-0
Contact area (jack)	50 μ ² Gold
PCB	FR4, UL94-0
Operating temperature	-10°C ~ + 60°C



SCALE 1/1

RoHS compliant

Created BT	Date 07.05.12	Cat.6 Modular Adapter STP	File: 37489.1_eng
Last rev. BT	Date 07.05.12		
		37489.1	