

Art No. WZ0004

CRIMPING TOOL

8P8C MODULAR PLUG Cuts, Crimps and Strips

Instruction:

1. Cut the modular cable to the desired length. Make certain that the ends are cut squarely, not diagonally.
2. Insert the cable between the stripper blades until it touches the stop. Squeeze the handles and pull the tool so that the cable stays perpendicular to it. If done correctly the outer insulation of the cable will be removed without damaging the insulation on the inner conductors.
3. Place a modular plug in the holder so that the front of the plug is against the stop and the gold contacts face the crimper. Insert the prepared cable into the plug. Make certain that the inner conductors are flush with the tip of the connector and directly under the gold contacts. Squeeze the handles firmly to set the contacts and secure the cable, thus completing the operation.

Specification:

- Crimping Tool for Modular 8P8C Plug
- Cable cutter with stripping function
- Integrated blade protection
- Tool made of high-quality metal with rubberized plastic handle

Packaging Information:

- Packing Dimension: 103x264x25 mm
- Packing Weight: 0.26kg
- Carton Dimension: 580x290x245 mm
- Carton Q'ty: 50pcs
- Carton Weight: 15kgs



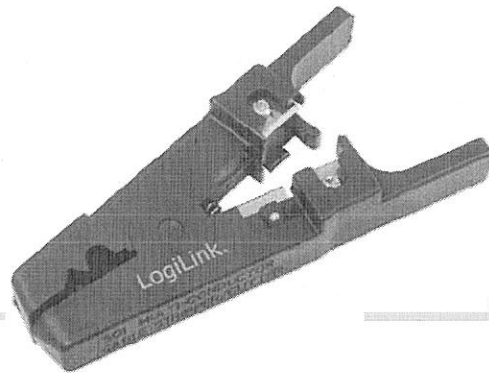
WZ0004



Made in China



RoHS
compliant



Art No. WZ0005

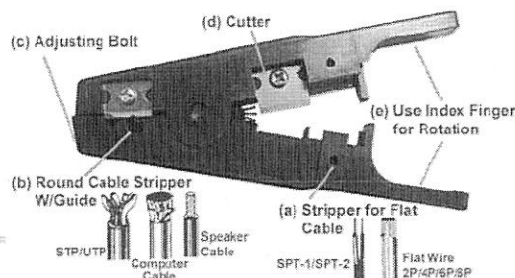
UNIVERSAL STRIPPING TOOL

Specification:

- a) Stripping for Flat Communication cable:
 - Stranded telephone wire: 2P, 4P, 6P, and 8P etc.
 - Speaker wire 18-22 AWG, SPT-1 and SPT-2 Electric Wire
- b) Round cable Stripper with Guides, by rotating 1 to 3 times by index finger for stripping outer insulator easier for:
 - UTP/STP Patch cable, and Data communication cable
 - Multi-conductor cable for insulation O.D. from 3.2mm to 9.00mm
 - Round cable for insulations 12, 14, 16 awg cable
- c) Adjusting bolt control to fix the size is able to match different cable sizes
- d) Sharp blade for cutter and stripper can be replaced
- e) Body made of Polyacepal Resin; Light and Compac

Packaging Information:

- Packing Dimension: 100x200x20 mm
- Packing Weight: 0.06kg
- Carton Dimension: 395x305x320 mm
- Carton Q'ty: 100pcs
- Carton Weight: 9kgs



WZ0005



Made in China

* The specifications and pictures are subject to change without notice.
* All trade names referenced are the registered namework of their respective owners.



RoHS
compliant