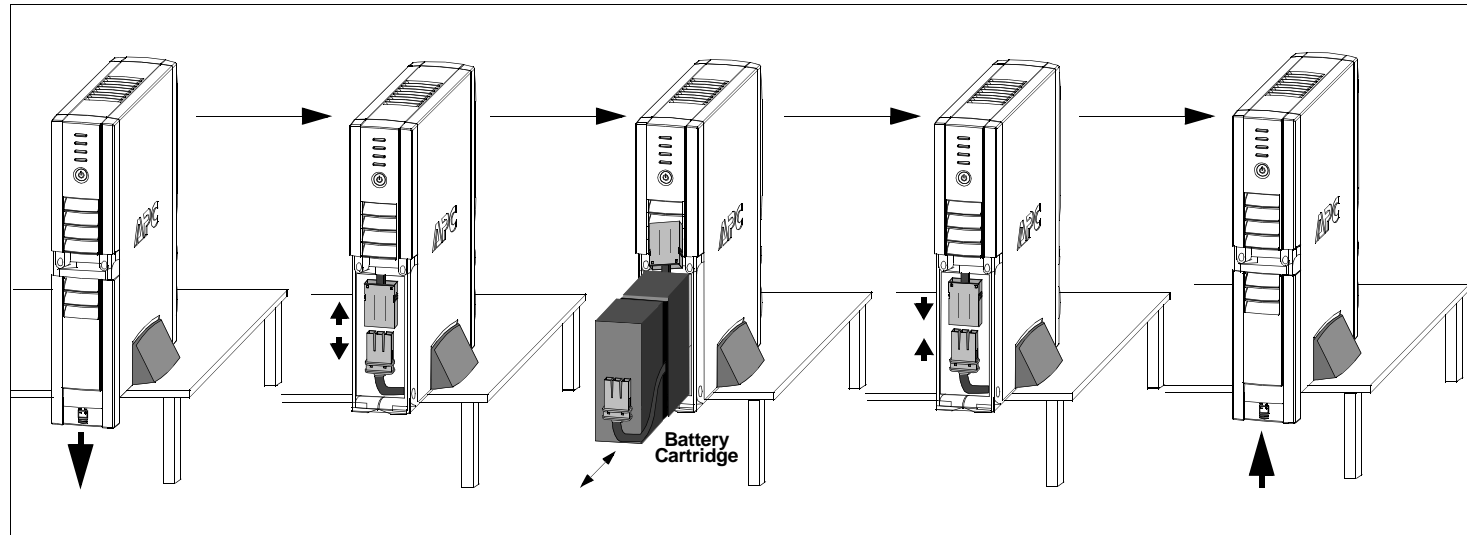


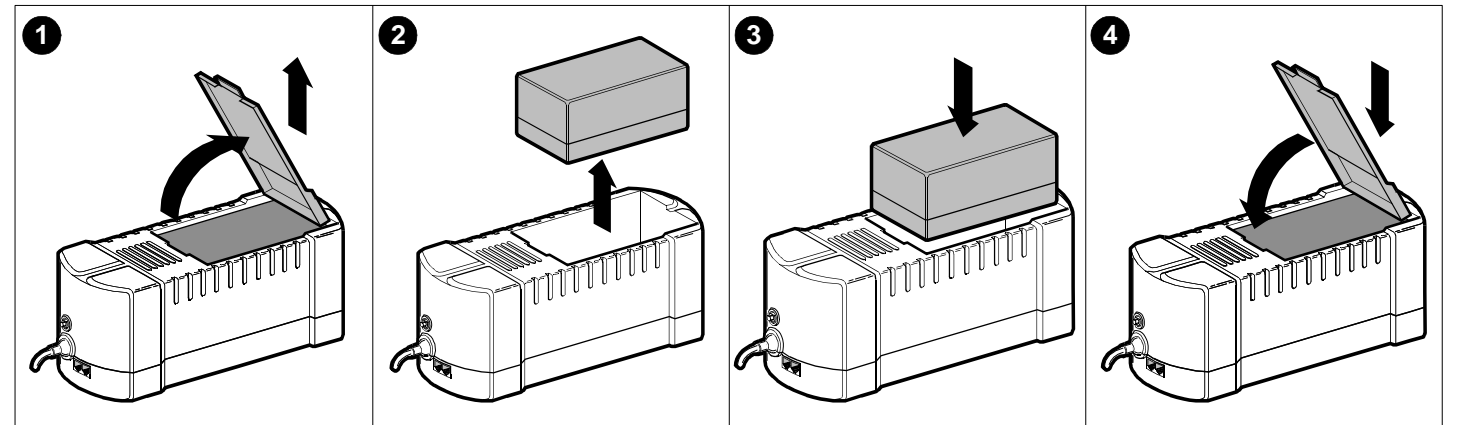
# BATTERY CARTRIDGE REPLACEMENT GUIDE - RBC32, RBC33, and RBC47

Entire contents copyright 2005 by American Power Conversion Corporation. All rights reserved. Reproduction in whole or in part without permission is prohibited. APC, the APC logo, Back-UPS, Smart-UPS, and SurgeArrest are registered trademarks of American Power Conversion Corporation. All other trademarks are the property of their respective owners.

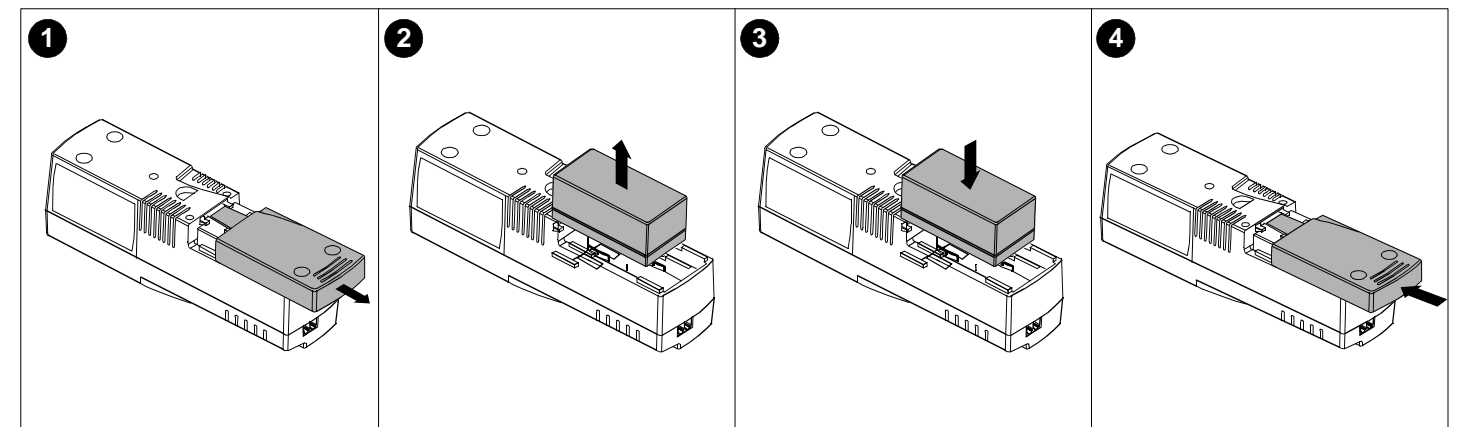
## Back-UPS<sup>®</sup> RS/XS 1000 (RBC32) and 1500 (RBC33)



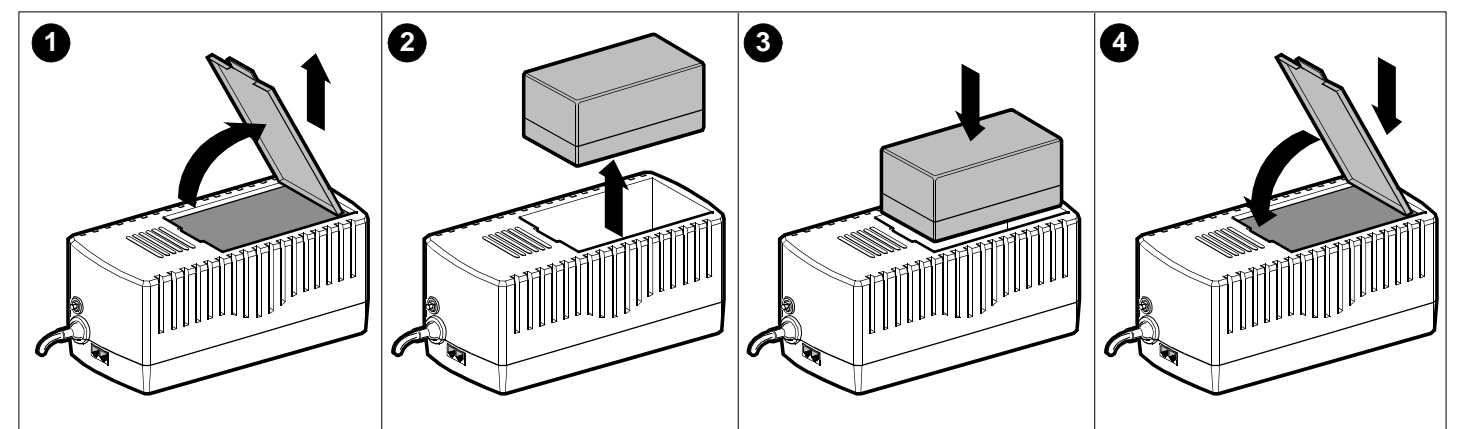
## 120V SurgeArrest<sup>®</sup> BE325 Surge Protector + Battery (RBC47)



## 230V SurgeArrest BE325 Surge Protector + Battery Backup (RBC47)



## CNB325 Surge Protector + Battery Backup (RBC47)



## Back-UPS RS/XS 800, CNB750, CNB950 (RBC32)

