

NOTE:

1. CABLE:UL20276 (30AWG*1P+AL+D+MY)*5C+30AWG*4C+MY/AL+B OD=6.0MM BLACK COLOR PVC JACKET
CABLE PRITING: HIGH SPEED HDMI CABLE WITH ETHERNET

2. LENGTH: Lmm

3. CONNECTOR:HDMI19P*2PCS (BLACK INSULATION GOLD PLATED)

4. MOLD: 45P PVC MOLDING

5. SCREW: 6.7*2.3mm NICKEL PLATED

6. CONTACTS:

HDMI19M	1	3	2	4	6	5	7	9	8	10	12	11	14	19	17	13	15	16	18	G
HDMI19M	1	3	2	4	6	5	7	9	8	10	12	11	14	19	17	13	15	16	18	G
	TP		GND		TP		GND		TP		GND		TP		GND					

7. OPEN/SHORT TEST:100% TEST.
INSULATION: 5M.

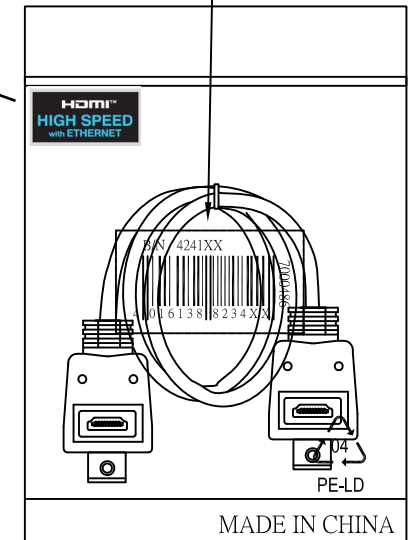
8. ROHS COMPLIANT.

Company	CONRAD	Goods Code		Draw	FC014	Date	2013.04.23		D		
ITEM NO.	29039C137X	Drawing Evidence		Check		Date			C		
Goods NO.				Approval		Date			B		
Original NO.		Unit(mm)							VER. A	REVISE	Date

ITEM NO	L(mm)	T(mm)	Carton Qty(pcs)	Model No	PE BAG(MM)
29039c137	1000	15	75	HDM1.4-AM-AM-WS-1M	0.06*150*200
29039c137a	2000	25	65	HDM1.4-AM-AM-WS-2M	0.06*150*200
29039c137b	3000	30	60	HDM1.4-AM-AM-WS-3M	0.06*180*254
29039c137c	4000	40	55	HDM1.4-AM-AM-WS-4M	0.06*180*254
29039c137d	5000	50	40	HDM1.4-AM-AM-WS-5M	0.06*180*254



BARCODE STICKER



ROHS Compliant

1PCS/PE BAG(0.06*XXX*XXX)+ Barcode STICKER

Company	CONRAD	Goods Code		Draw	FC014	Date	2013.04.23	D		
ITEM NO.	29039C137X	Drawing Evidence:		Check		Date		C		
Goods NO.				Approval		Date		B		
Original NO.	S-*****	Unit(mm)						VER. A	REVISE	Date