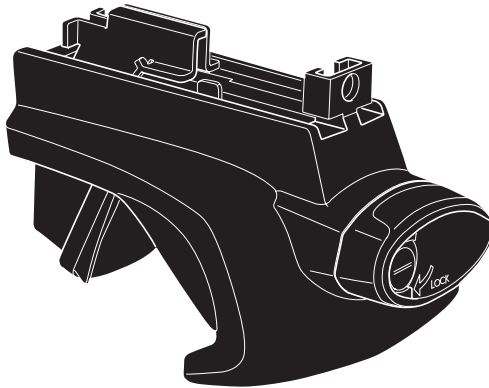


## Thule Rapid System 757

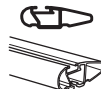
# ➤ Instructions



ISO 11154-E

**CITY CRASH**

Complies with ISO norm



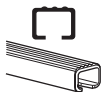
THULE WingBar



THULE SlideBar



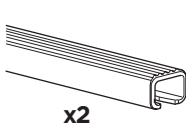
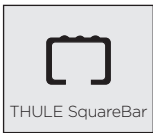
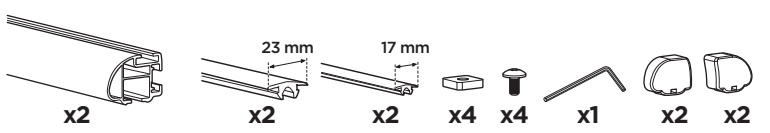
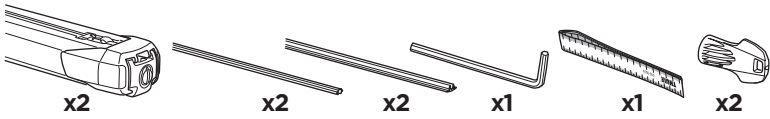
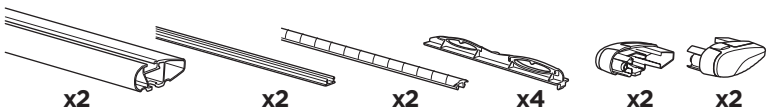
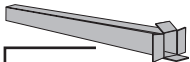
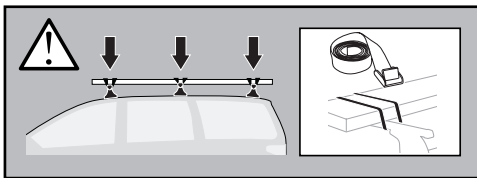
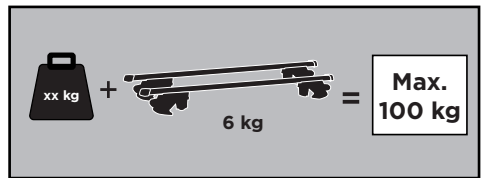
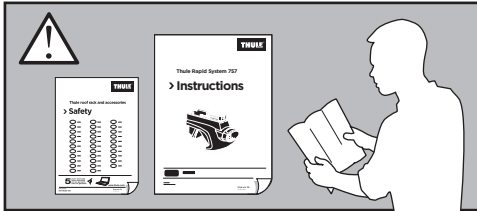
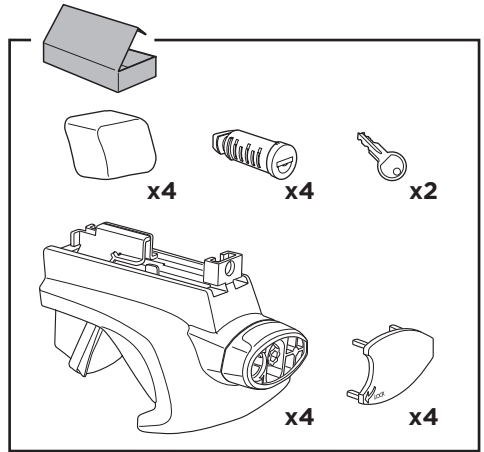
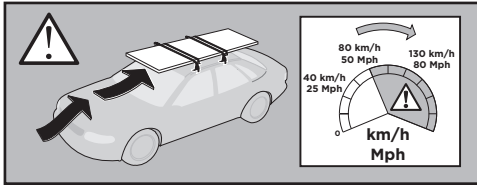
THULE ProBar



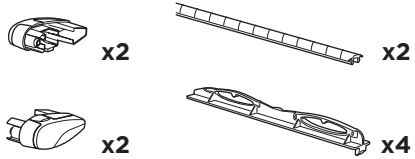
THULE SquareBar

**757000**

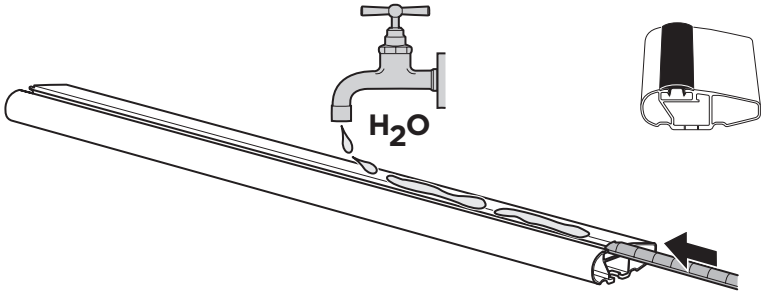
C.20150501  
501-7235-06



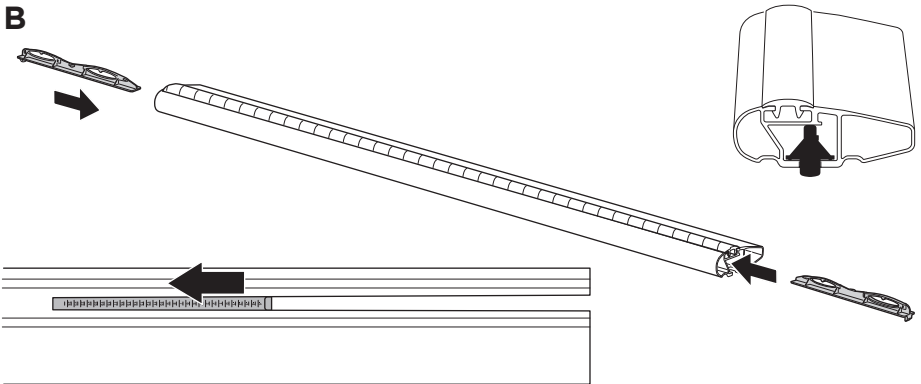
1



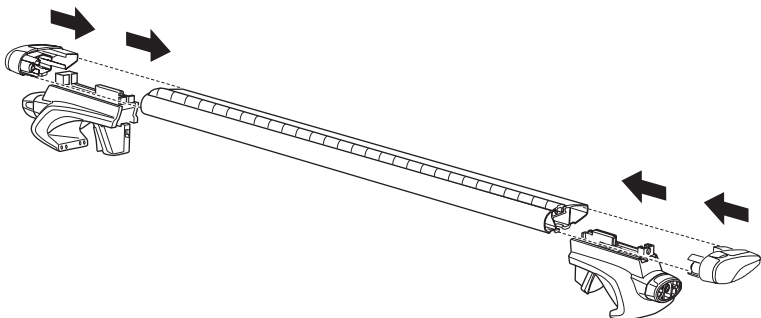
A



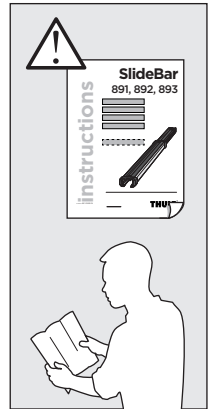
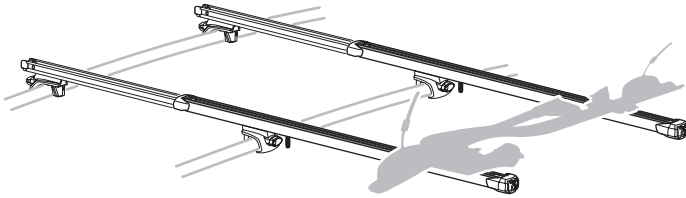
B



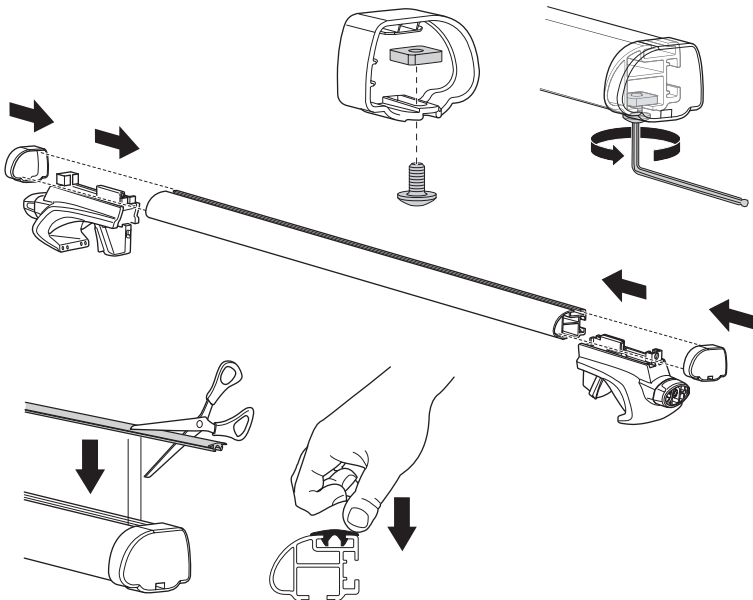
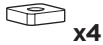
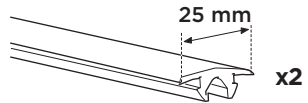
C



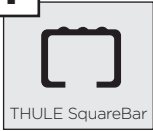
1



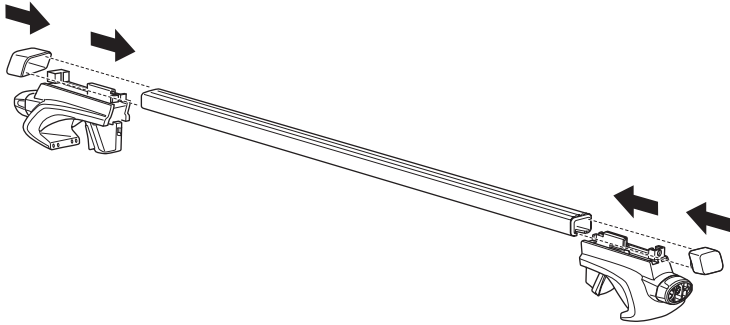
1



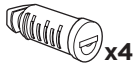
1



x4



2



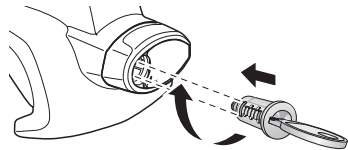
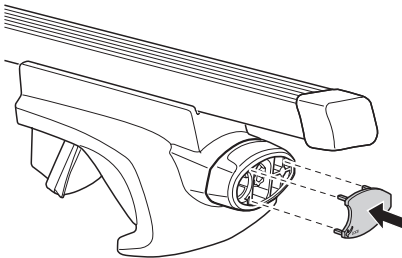
x4

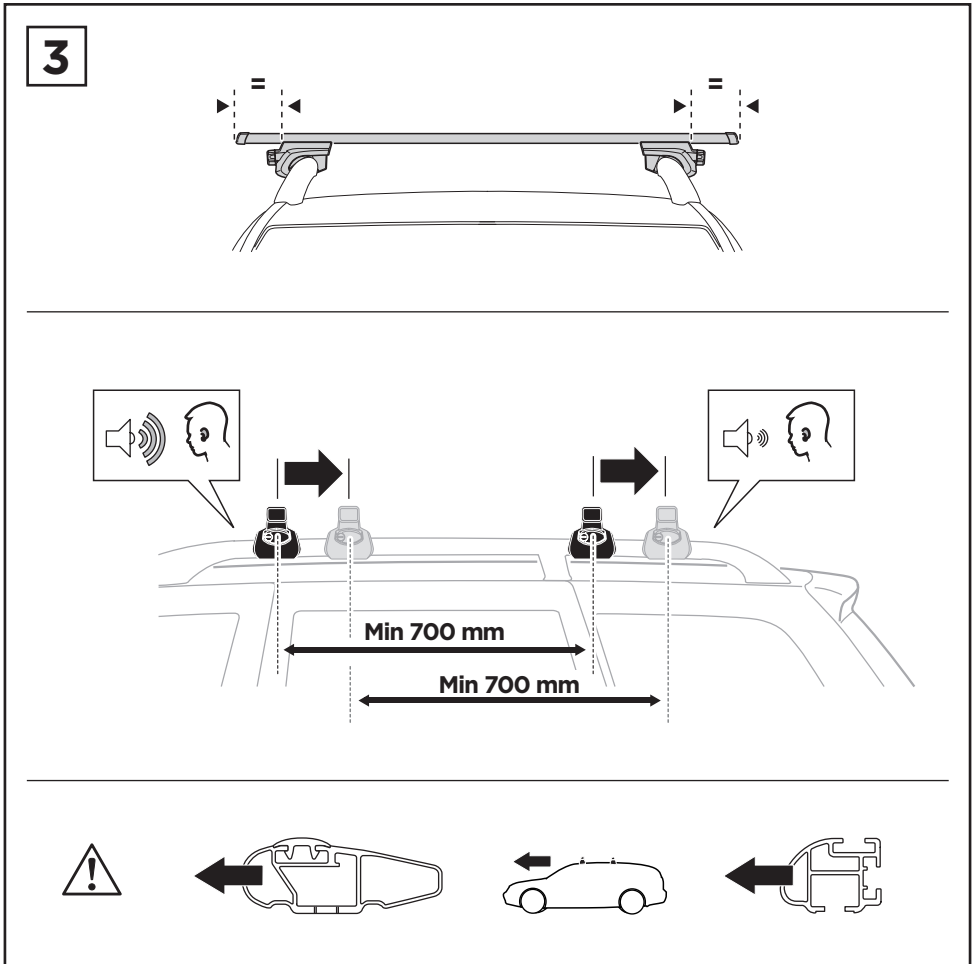
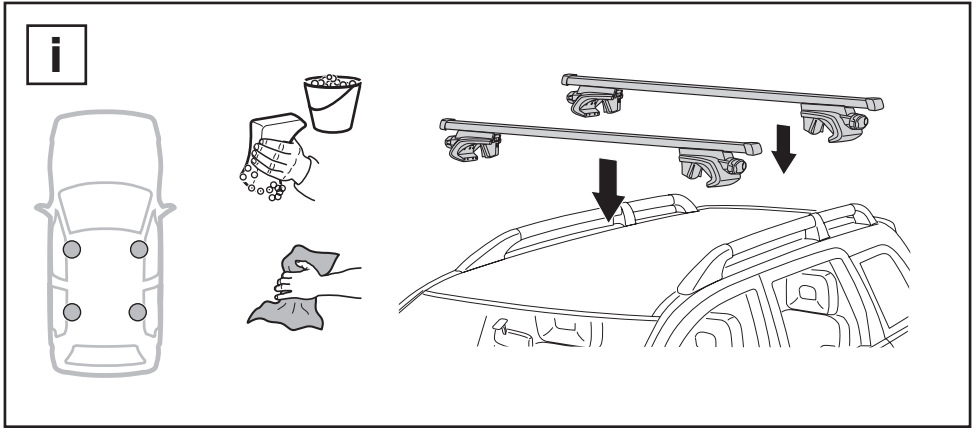


x2

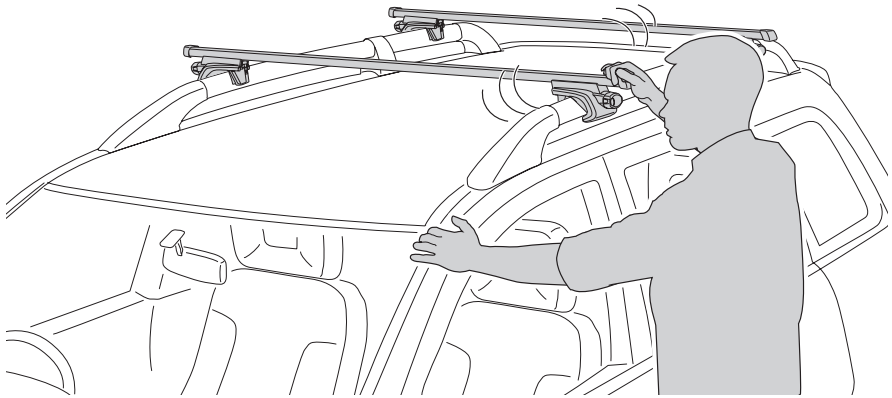
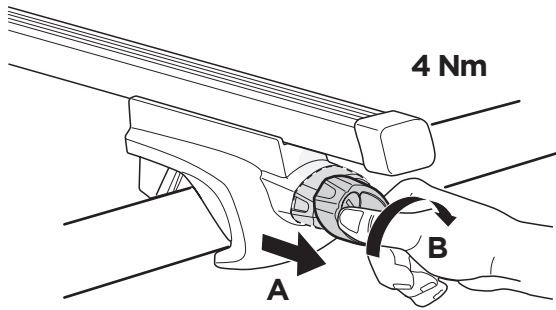


x4

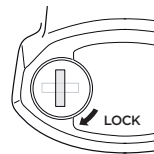
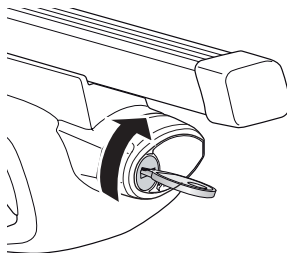
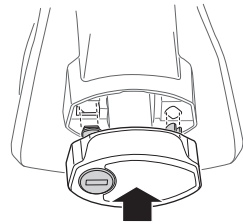
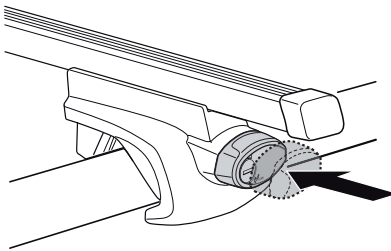


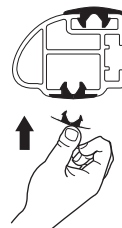
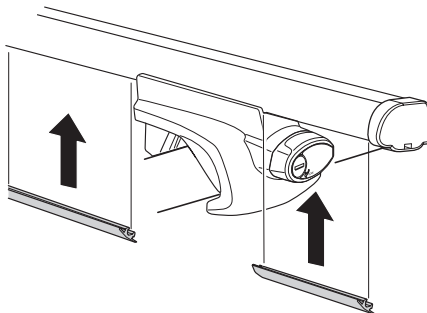
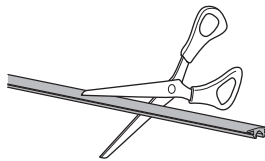
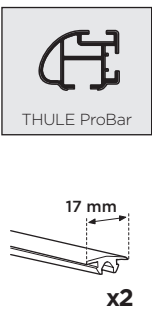
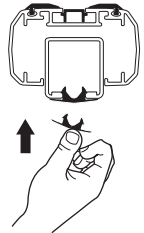
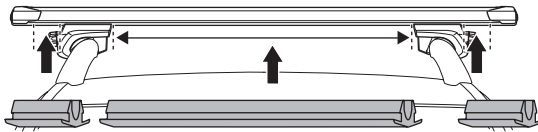
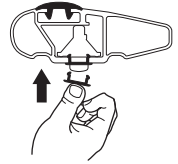
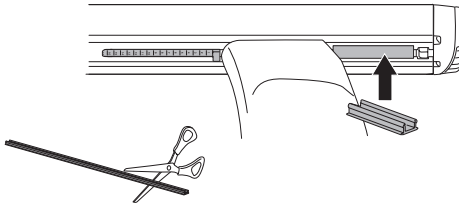
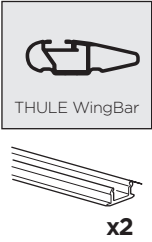


4



5

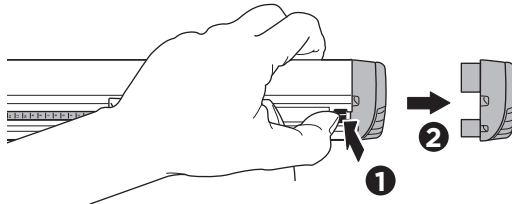
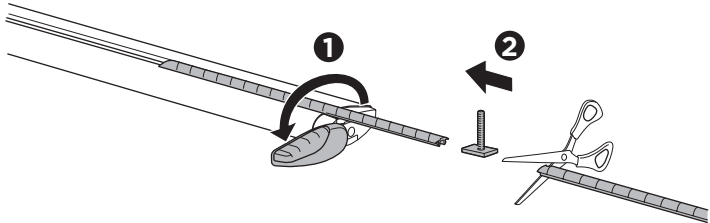




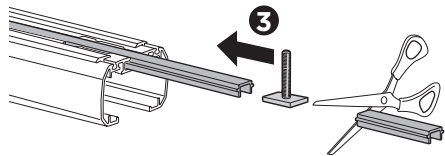
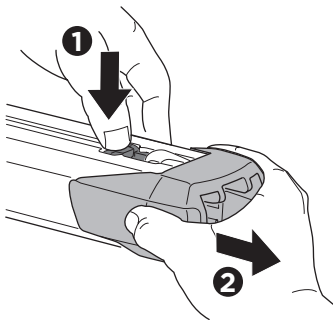


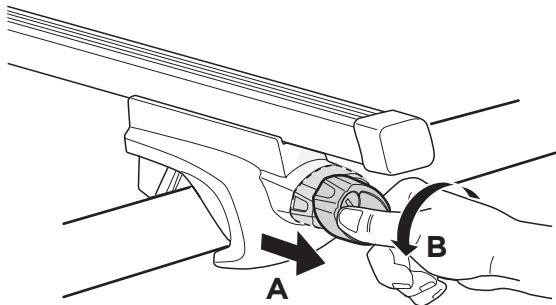
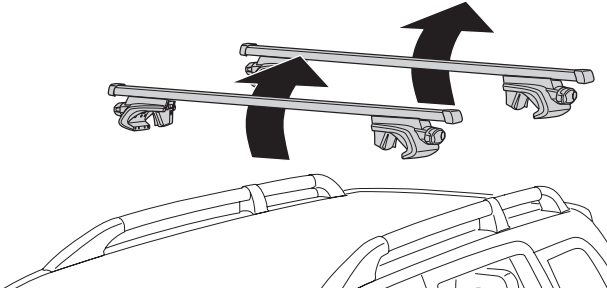
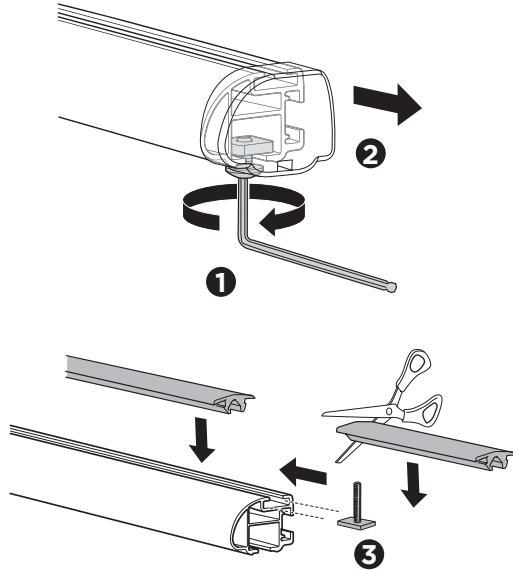


THULE WingBar

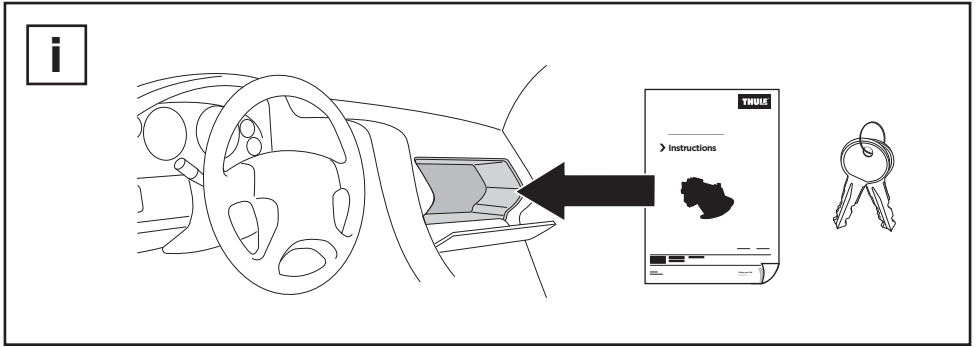


THULE SlideBar









## Thule One-Key System

The diagram shows the Thule One-Key System components. On the left is a large key with the Thule logo. In the center is a smaller key with a battery compartment. Below this key are six different accessories: a roof rack, a bike rack, a kayak rack, a ski rack, a canoe rack, and a kayak rack. To the right of these components is a list of battery counts for each accessory:

- 544 (x4)
- 596 (x6)
- 588 (x8)
- 452 (x12)