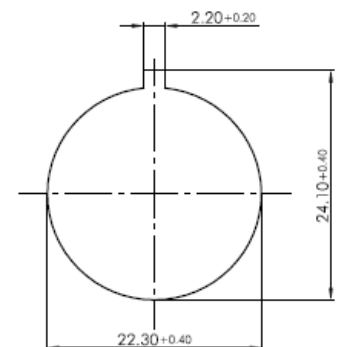
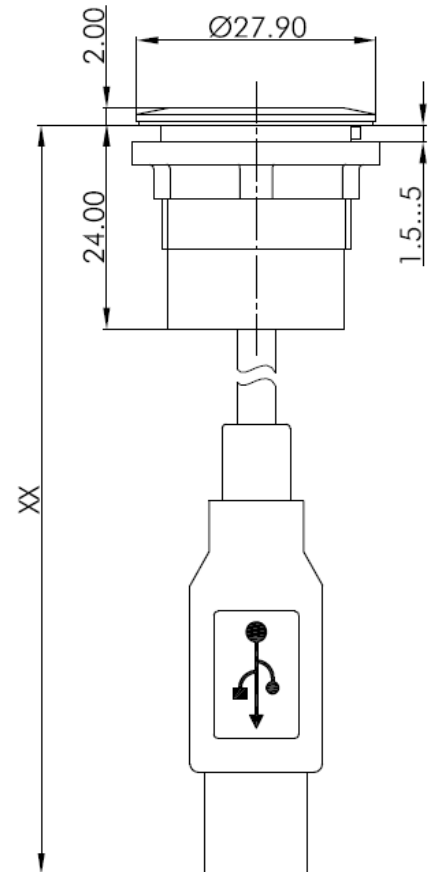


Date: 04-July-2013

R(R)(Q)J(VA)_USB_(Colour)(_Length in CM)

Technical Data

Type reference:	R(R)(Q)J(VA)_USB_(Colour)(_Length in CM)
Front jack:	USB 2.0 type A jack
Rear connector:	USB 2.0 type A connector
USB cable:	USB-2.0
Length:	if not specified, 60cm as a standard
Housing colour:	if not specified, titanium lacquered SW= black
Degree of protection:	IP65
Mounting hole	22.3mm
Storage temperature:	-25°C ... +80°C
Ambient temperature:	-20°C ... +60°C



- subject to modifications -