

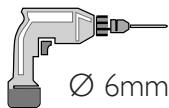
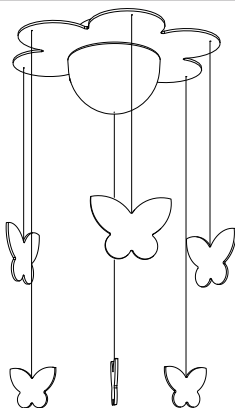
40096/**/16

User manual

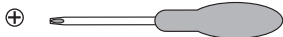
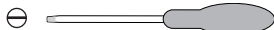


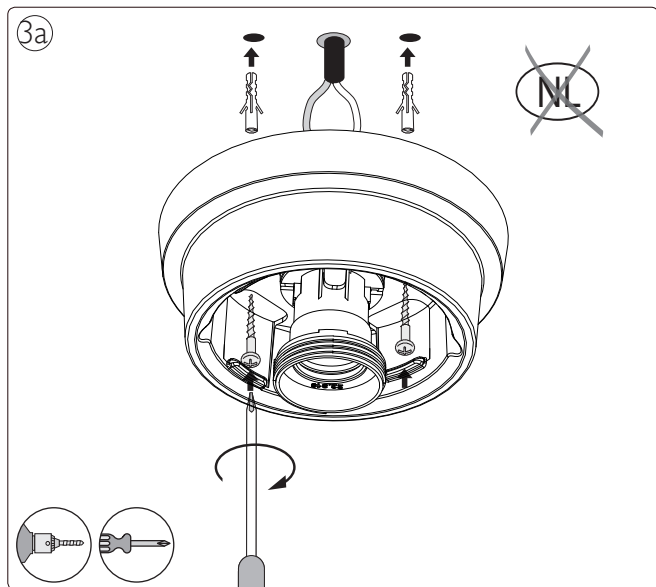
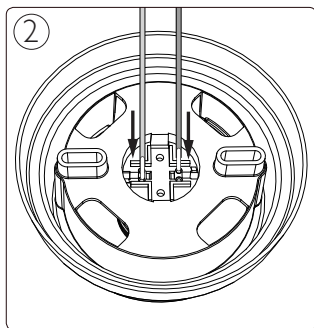
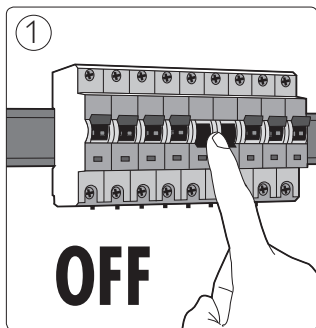
PHILIPS

Incl.

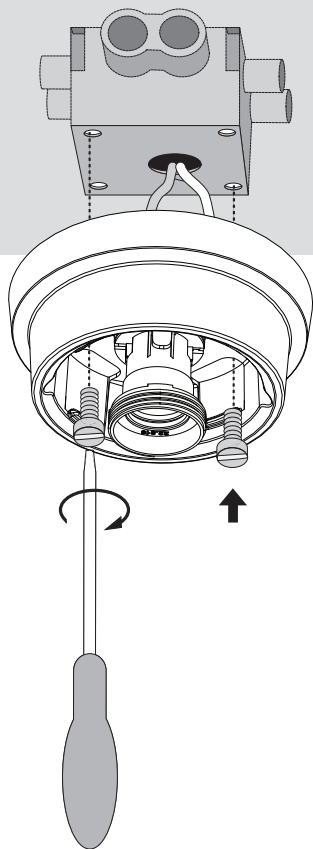


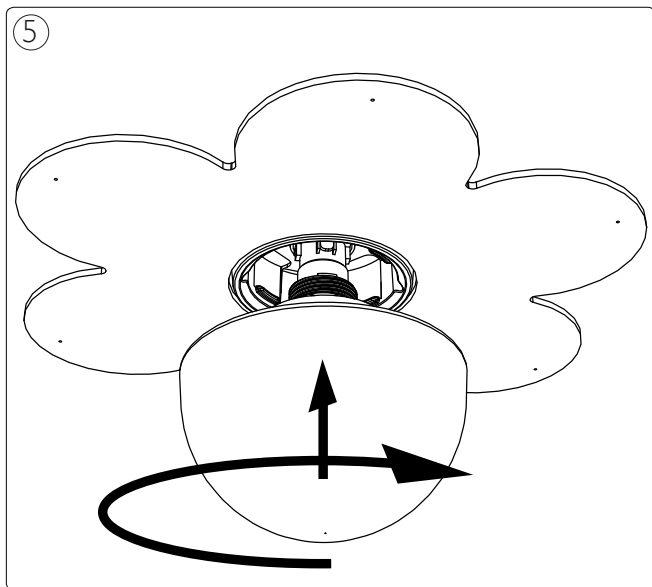
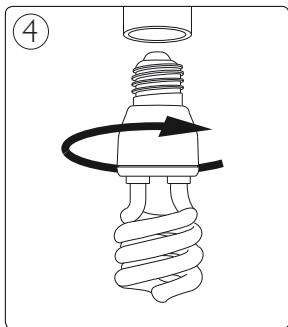
Ø 6mm

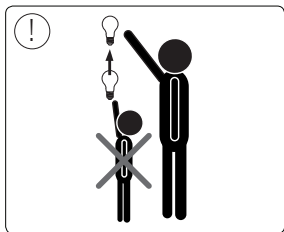




3b









Philips Lighting Contact Centre
Int. Business Reply Service
I.B.R.S. / C.C.R.I. Numéro 10461
5600 VB Eindhoven
Pays-Bas / The Netherlands

www.philips.com/homelighting
 +800 7445 4775

4404.018.33241
Last update: 13/11/12