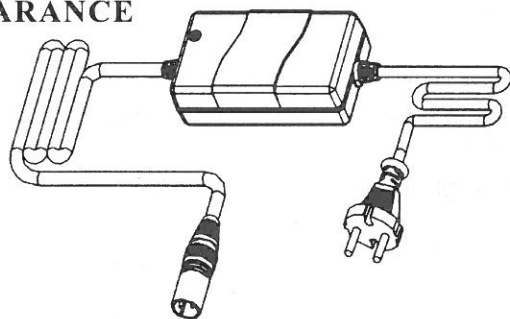


IMPORTANT SAFETY INSTRUCTION - SAVE THESE INSTRUCTIONS - THIS MANUAL CONTAINS IMPORTANT SAFETY AND OPERATING INSTRUCTIONS FOR BATTERY CHARGER. DANGER - TO REDUCE THE RISK OF FIRE OR ELECTRIC SHOCK, CAREFULLY FOLLOW THESE INSTRUCTIONS.

BATTERY CHARGER INSTRUCTION 2A

1. APPEARANCE



- ① Power Cord
- ② Output Plug to Battery
- ③ LED Indicator:
Orange: Charging
Green: Fully Charged

2. SPECIFICATION

Item	BATTERY CHARGER (SWITCHING MODE)
Model	4C24020A
Output Current (DC)	2A
Charging Voltage (DC)	28.8V
Floating Voltage (DC)	27.6V
Input Current (AC)	1.0A max.
Input Voltage (AC)	100~240 V 50/60Hz
Efficiency	AC-DC 80%
Operating Temperature	0°C ~ 40°C
Switching Method	Switching Mode
Charging Method	Constant Current Two Stage Constant Voltage
Battery Application	24V Lead Acid Batteries (9Ahr~20Ahr)
Output Detection	1. Short Circuit Protection 2. Reverse Power Protection
Operating Humidity	20% ~ 85%
Measure	L 110mm×W 60mm×H 36mm
Weight	400 g
Color	Black

3. OPERATION INSTRUCTION

- (1) Make sure the battery charger output voltage is the same as the connecting battery.
- (2) Plug in the power cord. LED indicates Green flash when AC power on.
- (3) Connect the battery charger to the battery.
- (4) LED indicates Orange when charging; LED indicates Green after fully charged.

4. LED INDICATION

- (1) Orange : Charging
- (2) Green : Full charged

5. TROUBLE SHOOTING

- (1) If Green indicator is off :
 - Check AC input. If it works normally, the battery charger may be defect.
- (2) If Green is working normally but Charging Indicator (Orange) is off.
 - Check if the battery connection is reversed.
 - Check if the output connection is short or open.
 - If the Charging Indicator (Orange) is still off, the battery charger may be defect.
- (3) If the Charging Indicator (Orange) can't turn to Green :
 - The battery might defect , please stop charging and have the battery be repaired.
- (4) If the Charging Indicator (Orange) turns Green (Fully Charged) immediately
 - The battery may be in well-charged condition.
 - If the battery is not fully charged, the battery may be defect.

6. CAUTION

- (1) Before using the battery charger, read all instructions and cautionary markings.
- (2) Use the battery charger in a well-ventilated area.
- (3) To avoid the risk of injury, charge only lead-acid or gel cell type rechargeable batteries.
- (4) The temperature of case will rise when charging, avoid to touch the case.
- (5) Please turn off the power after charging.