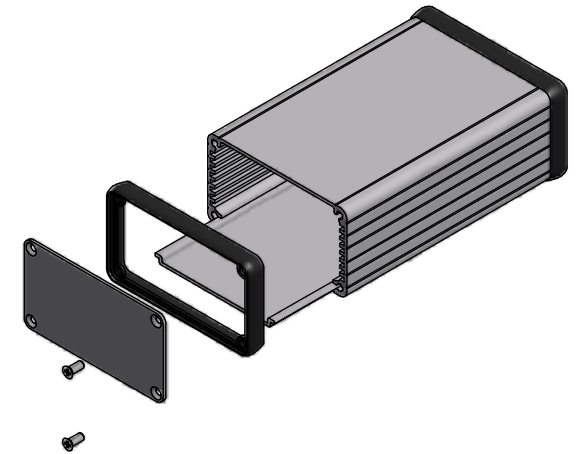
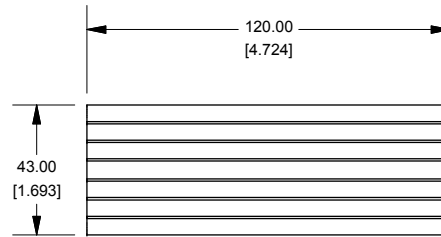
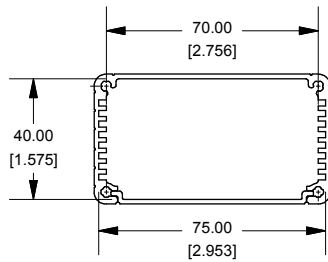
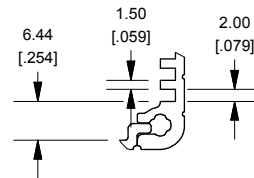


Extrusion

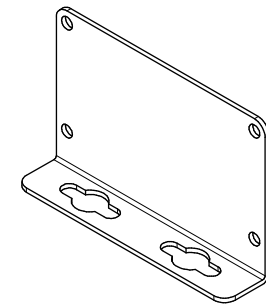
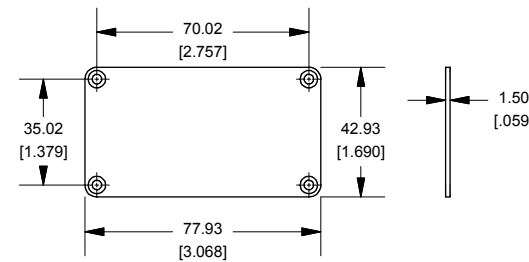


EXTRUSION DESIGNED FOR 75MM WIDE PC BOARD

Slot Details



End Plate



OPTIONAL FLANGE END PANELS 1455KF

NOTE
 Purchased assembly includes box, plastic bezels, end panels, #6 Taptight screws and self adhesive rubber feet.
 Box made from Extruded Aluminum 6063.
 Bezels made with polycarbonate.

1455K1201

PART NUMBERS

Clear Anodized	1455K1201
Black Anodized	1455K1201BK

ACCESSORIES

See website for accessories.



Enclosures can be Factory Modified (Milling, Drilling, Printing etc.)
 Solid models of this enclosure available in STEP or IGES.
 Contact Factory mjm@hammondmfg.com