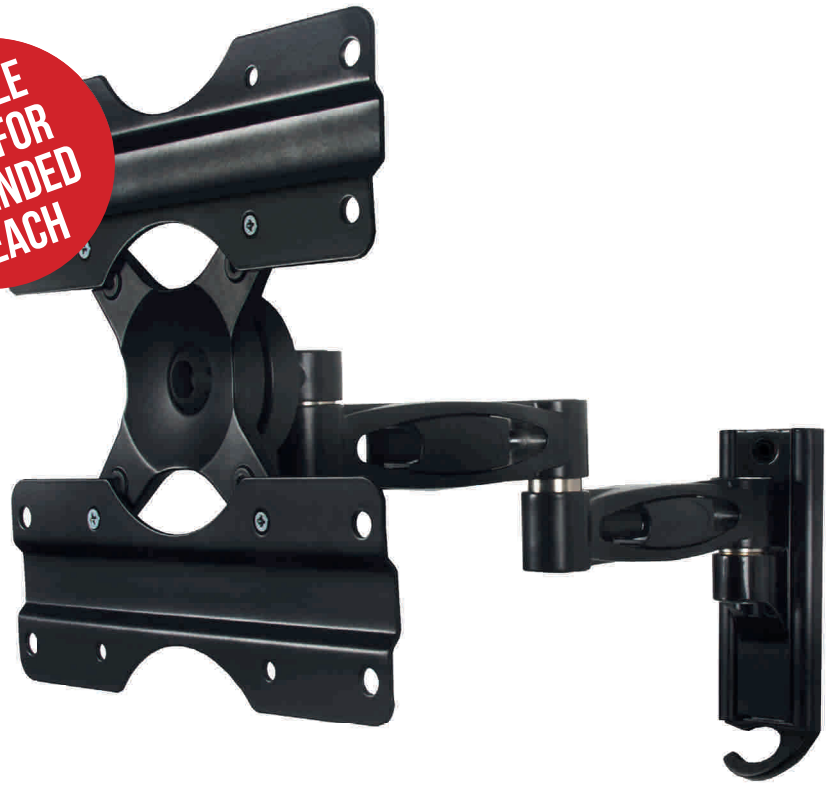




BTV504

FLAT SCREEN WALL MOUNT WITH DOUBLE ARM

DOUBLE ARM FOR EXTENDED REACH



Designed to wall mount small to medium sized screens, this double arm wall mount features a tilting interface and three swivel points, allowing quick and easy repositioning of screens as required - whether folded flat against the wall at a depth of 79mm or at maximum extension. Cable management is included to help make a neat and tidy mounting solution which is ideal for home installations as well as commercial applications.

SPECIFICATION

Recommended Screen Size	up to 42"
Max Load	25kg
VESA® compatibility	up to 200 x 200
Screen Rotation	360°
Tilt	+/-15°
Swivel	180°
Extension	79 - 385mm
Colour	Black

FEATURES

- Double arm for extended reach - ideal for corner mounting
- Folds flat to the wall
- Interface features tilt, swivel and screen rotation
- Integrated cable management
- Integrated spirit level for easy wall plate levelling during installation
- Simple 'hook-on' installation
- All mounting hardware included



VESA 200 | 42" / 107cm | 25KG | +/-15° | 180° | 360°



Folds flat to the wall with a distance of only 79mm



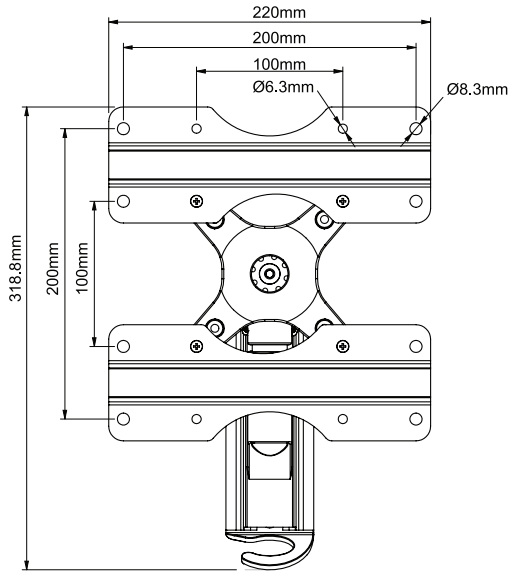
Integrated cable management and spirit level included



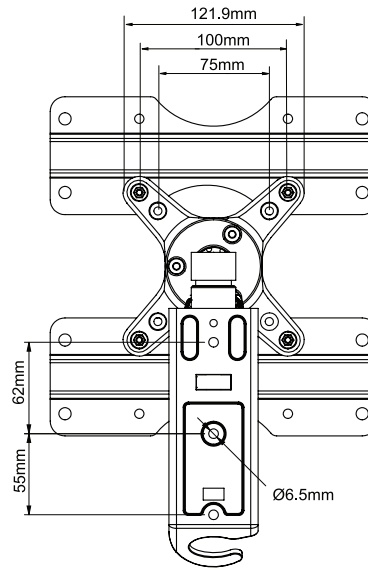
Features up/down tilt plus 3 pivot points



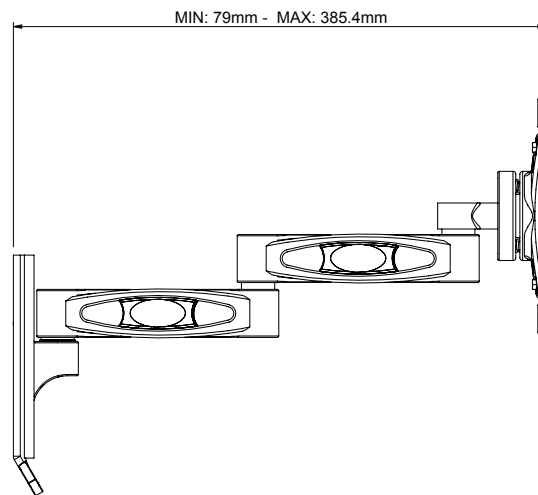
Interface allows screen rotation of 360°



FRONT VIEW EXTENSION



REAR VIEW



SIDE VIEW WITH ARM EXTENDED

PACKING INFORMATION

COLOUR:	ORDER REF:	EAN CODE:	MASTER CARTON QTY:	INNER CARTON QTY:	MASTER CARTON WEIGHT:	MASTER CARTON CUBE:
Black	BTV504/B	5019318440625	4	0	9.88kg	0.029cbm

ACCESSORIES AND SIMILAR PRODUCTS TO THE BTV504



Flat Screen Wall Mount with Tilt & Swivel designed for screens up to 42"



Single Arm Wall Mount with Tilt & Swivel designed for screens up to 42"



AV Component Shelf designed for holding all common AV equipment



Universal Soundbar Mount fits directly to BTV504 to mount a Soundbar under your screen

© 2016 B-Tech Consumer Products Ltd. All rights reserved.
 The information in this specification is subject to change without notice. The B-Tech name and the B-Tech logo are registered trademarks of B-Tech International Ltd.
 We reserve the right to change the content or physical specifications without prior notice. The B-Tech name and the B-Tech logo are registered trademarks of B-Tech International Ltd.
 B-Tech accepts liability for loss or damage caused by fire, theft or other causes, but not for consequential loss or damage. Any reproduction or reuse of any part of this specification is strictly prohibited. All other rights reserved. All other trademarks are the property of their respective owners.

SS-BTV504-V1-120116