

ÖLFLEX® SPIRAL 540 P

DB 73220107
valid from: 16.09.2011

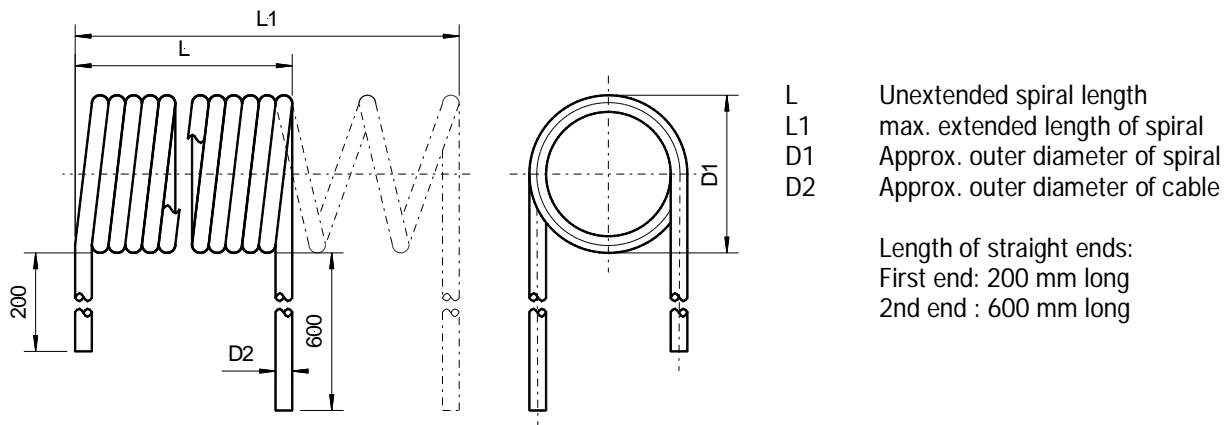
Application

ÖLFLEX® SPIRAL 540 P cables are highly flexible oil-resistant connecting cables with a core insulation of TPE and an outer sheath of Polyurethane for flexible use and fixed installation under increased mechanical load conditions. They are among others designed for use in dry, damp or wet conditions. Outdoor use: They may only be installed considering the temperature range. ÖLFLEX® SPIRAL 540 P cables are increased oil-resistant and at room temperature widely resistant to acids and caustic solutions. The outer sheath is resistant against high mechanical load, particularly to abrasion and scouring, cut resistant, microbe-proof and hydrolysis resistant. All materials used for these cables are halogen-free.

ÖLFLEX® SPIRAL 540 P cables are designed for use under rough working conditions and to high wear and tear. The strength of recoiling and the extension lengths up to 3.5 times of the original length are features of the high quality. They can also be used for connection of agricultural devices and heaters, provided that there is no risk of contact with hot particles or of thermal radiation.

Application range: Mechanical engineering, construction industry, power tools like drill machines, circular hand saw, portable motors and construction machinery, medical equipment.

Dimensions of spiral cable



Design

Design	based on HD 22.10 S2 resp. VDE 0282-10
Approvals	The used uncoiled cable sold by the metre ÖLFLEX 540 P has following VDE-approvals: U_0/U : 300/500 V up to 1,0 mm ² : VDE-REG.-No. 6583 U_0/U : 450/750 V starting at 1,5 mm ² : VDE-REG.-No. 6584
Conductor	fine wire strands of tinned copper acc. to IEC 60228 resp. VDE 0295, Class 5
Core insulation	Thermoplastic elastomer (TPE)
Core identification	acc. to VDE 0293-1, with or without GN/YE ground conductor up to 5 cores coloured acc. to HD 308 S2 resp. VDE 0293-308; starting at 6 cores: Black cores with white numbers acc. to DIN EN 50334 resp. VDE 0293-334
Outer sheath	Polyurethane compound TPU in acc. with HD 22.10 S2 resp. VDE 0282-10 colour: Yellow, similar RAL 1016



ÖLFLEX® SPIRAL 540 P

DB 73220107
valid from: 16.09.2011**Electrical properties at 20 °C**

Nominal voltage	up to 1,0 mm ² :	300 / 500 V
	starting at 1,5 mm ² :	450 / 750 V
Test voltage	up to 1,0 mm ² :	3000 V AC
	starting at 1,5 mm ² :	3500 V AC

Mechanical and thermal properties

Temperature range	for flexible applications: -30 °C up to +50 °C max. conductor temperature
Flammability	flame retardant in acc. with IEC 60332-1-2 resp. VDE 0482-332-1-2
Oil resistance	acc. to EN 50363-10-2 resp. VDE 0207-363-10-2
MUD	MUD resistant acc. to IEC 61892-4 Annex D
Tests	acc. to IEC 60811 resp. VDE 0473 and VDE 0472
EC-Directives	This cable is conform to the EC-Directives 2006/95 EC (Low Voltage Directive) and ECD 2002/95/EC (RoHS, Restriction of the use of certain hazardous substances).