

U.I. Lapp GmbH	DATASHEET	
	EPIC® H-A 16 TBF-LB	10563000 14.11.2013

These connectors are attractive because of their compact housing.
Small and compact, for applications with high number of contacts



Industrial machinery and plant engineering



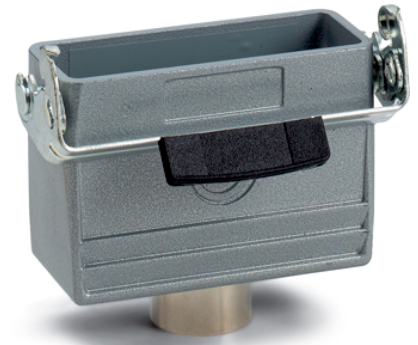
Mechanical resistance



Robust



Waterproof



Info

Compact, robust metal housings size H-A 16

Application range

Machine and equipment manufacturing
Control engineering
Electronic laboratory

Product features

Cable coupler hood, low version
Single lever
Straight cable entry
Versions with / without neck

Remark

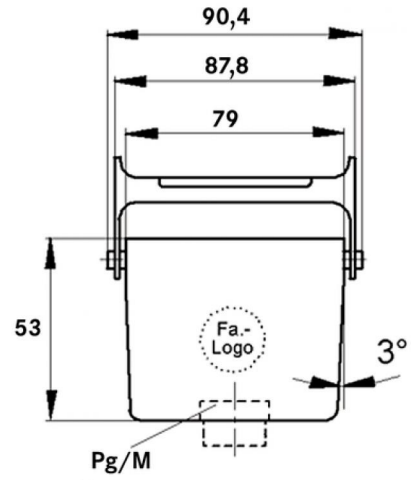
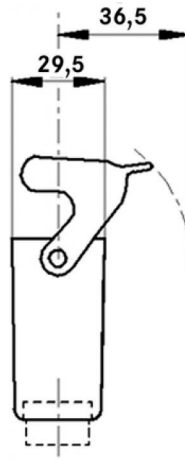
Photographs are not to scale and do not represent detailed images of the respective products.

Technical Data

Article:	H-A 16 TBF-LB 16
PG:	16
Neck:	yes
Pieces / PU:	5
Material:	Housing: aluminium alloy, grey Lever: zinc-plated steel Sealing: NBR
Protection rating:	IP 65 (latched)
Temperature range:	-40 °C to +100 °C, short-term up to +125 °C

Product Management	Document: EPIC® H-A 16 TBF-LB	1 / 2
--------------------	-------------------------------	-------

U.I. Lapp GmbH	<h1>DATASHEET</h1>	 LAPP GROUP
	EPIC® H-A 16 TBF-LB	10563000 14.11.2013



Product Management	Document: EPIC® H-A 16 TBF-LB	2 / 2
--------------------	-------------------------------	-------