

| | | |
|-------------------|----------------------------|------------------------------------------------------------------------------------|
| U.I. Lapp GmbH | DATASHEET |  |
| | EPIC® H-B 16 TGH 2X | 44422018 14.11.2013 |

Housing design H-B. The industry standard.
The housing standard. Wide choice for all applications



Automation



Industrial machinery and plant engineering



Mechanical resistance



Robust



Waterproof



Info

Universal, robust metal housings size H-B 16

Application range

Plant engineering
Light & sound technology
Plastics industry

Product features

Hood, high version
Bolts for double lever
2 straight cable entries
Versions without neck

Remark

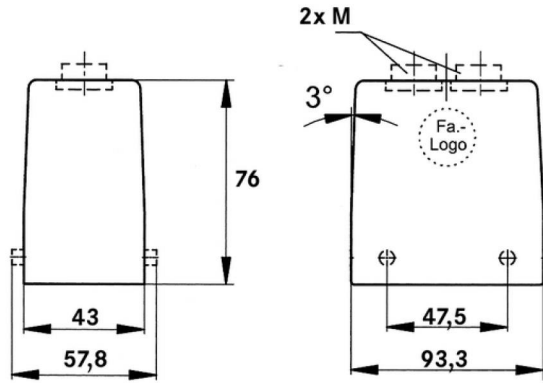
Photographs are not to scale and do not represent detailed images of the respective products.

Technical Data

| | |
|--------------------|------------------------------------------------------------------------------------------|
| Article: | H-B 16 TGH 2XM25 |
| M: | 2 x 25 |
| Pieces / PU: | 5 |
| Material: | Housing: powder-coated aluminium alloy, grey Lever: zinc-plated steel Sealing: NBR |
| Protection rating: | IP 65 (latched) |
| Temperature range: | -40 °C to +100 °C, short-term up to +125 °C |

| | | |
|--------------------|-------------------------------|-------|
| Product Management | Document: EPIC® H-B 16 TGH 2X | 1 / 2 |
|--------------------|-------------------------------|-------|

| | | |
|-------------------|----------------------------|------------------------------------------------------------------------------------------------------|
| U.I. Lapp GmbH | <h1>DATASHEET</h1> |  LAPP GROUP |
| | EPIC® H-B 16 TGH 2X | 44422018 14.11.2013 |



| | | |
|--------------------|-------------------------------|-------|
| Product Management | Document: EPIC® H-B 16 TGH 2X | 2 / 2 |
|--------------------|-------------------------------|-------|