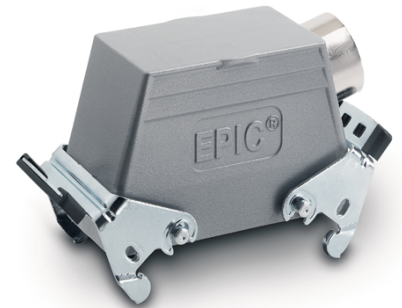


U.I. Lapp GmbH	<b>DATASHEET</b>	
	<b>EPIC® H-B 16 TSB</b>	<b>19083000</b> <b>14.11.2013</b>

Housing design H-B. The industry standard.  
The housing standard. Wide choice for all applications



Automation



Industrial machinery and plant engineering



Mechanical resistance



Robust



Waterproof

#### Info

Universal, robust metal housings size H-B 16

#### Application range

Plant engineering  
Light & sound technology  
Plastics industry

#### Product features

Hood, low version  
Dual levers  
Side cable entry  
Versions with neck

#### Remark

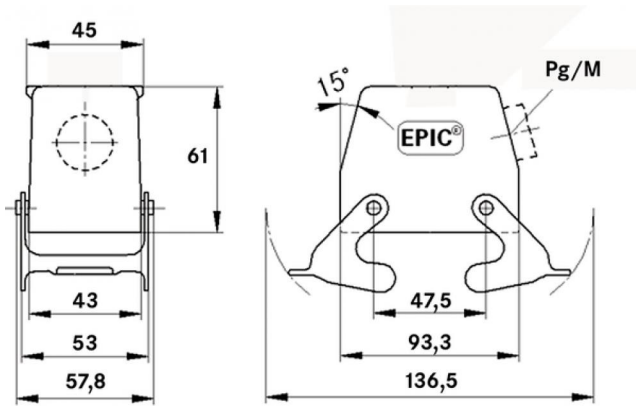
Photographs are not to scale and do not represent detailed images of the respective products.

#### Technical Data

Article:	H-B 16 TSB M25
M:	25
Neck:	yes
Pieces / PU:	5
Material:	Housing: powder-coated aluminium alloy, grey Lever: zinc-plated steel Sealing: NBR
Protection rating:	IP 65 (latched)
Temperature range:	-40 °C to +100 °C, short-term up to +125 °C

Product Management	Document: EPIC® H-B 16 TSB	1 / 2
--------------------	----------------------------	-------

U.I. Lapp GmbH	<h1>DATASHEET</h1>	 <b>LAPP GROUP</b>
	<b>EPIC® H-B 16 TSB</b>	19083000 14.11.2013



Product Management	Document: EPIC® H-B 16 TSB	2 / 2
--------------------	----------------------------	-------