

U.I. Lapp GmbH	DATASHEET	
	EPIC® H-B 16 TS-RO	10092900 14.11.2013

Housing design H-B. The industry standard.
The housing standard. Wide choice for all applications



Automation



Industrial machinery and plant engineering



Mechanical resistance



Robust



Waterproof



Info

Universal, robust metal housings size H-B 16

Application range

Plant engineering
Light & sound technology
Plastics industry

Product features

Hood, low version
Reels for single lever
Side cable entry
Versions with neck

Remark

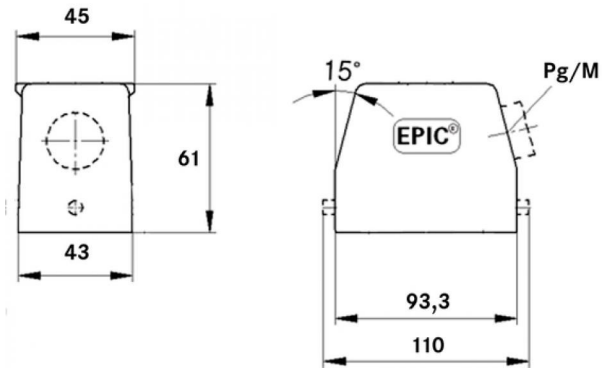
Photographs are not to scale and do not represent detailed images of the respective products.

Technical Data

Article:	H-B 16 TS-RO 29
PG:	29
Neck:	yes
Pieces / PU:	5
Material:	Housing: powder-coated aluminium alloy, grey Lever: zinc-plated steel Sealing: NBR
Protection rating:	IP 65 (latched)
Temperature range:	-40 °C to +100 °C, short-term up to +125 °C

Product Management	Document: EPIC® H-B 16 TS-RO	1 / 2
--------------------	------------------------------	-------

U.I. Lapp GmbH	<h1>DATASHEET</h1>	 LAPP GROUP
	EPIC® H-B 16 TS-RO	10092900 14.11.2013



Product Management	Document: EPIC® H-B 16 TS-RO	2 / 2
--------------------	------------------------------	-------