

U.I. Lapp GmbH	<b>DATASHEET</b>	
	<b>EPIC® H-B 24 TG 2X</b>	44422019 14.11.2013

Housing design H-B. The industry standard.  
Ideal for many applications due to a wide range of housings and inserts



Automation



Industrial machinery and plant engineering



Mechanical resistance



Robust



Waterproof



### Info

Universal, robust metal housings size H-B 24

### Application range

Plant engineering  
Light & sound technology  
Plastics industry

### Product features

Hood, low version  
Bolts for double lever  
2 straight cable entries  
Versions with neck

### Remark

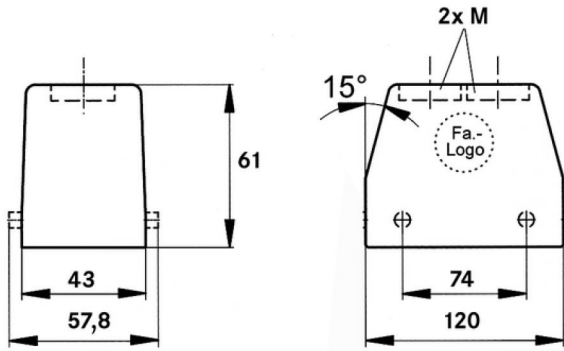
Photographs are not to scale and do not represent detailed images of the respective products.

### Technical Data

Article:	H-B 24 TG 2XM25
M:	2 x 25
Neck:	yes
Pieces / PU:	5
Material:	Housing: powder-coated aluminium alloy, grey Lever: zinc-plated steel Sealing: NBR
Protection rating:	IP 65 (latched)
Temperature range:	-40 °C to +100 °C, short-term up to +125 °C

Product Management	Document: EPIC® H-B 24 TG 2X	1 / 2
--------------------	------------------------------	-------

U.I. Lapp GmbH	<h1>DATASHEET</h1>	
	<b>EPIC® H-B 24 TG 2X</b>	<b>44422019</b> <b>14.11.2013</b>



Product Management	Document: EPIC® H-B 24 TG 2X	2 / 2
--------------------	------------------------------	-------