

| | | |
|----------------|-----------------------|--|
| U.I. Lapp GmbH | <h1>DATASHEET</h1> |  |
| | EPIC® H-B 6 TS | 10022000 14.11.2013 |

Housing design H-B. The industry standard.
The smallest housing out of the H-B series. For inserts with high electrical properties



Automation



Industrial machinery and plant engineering



Mechanical resistance



Robust



Waterproof



Info

Universal, robust metal housings size H-B 6

Application range

Plant engineering
Control engineering
Plastics industry

Product features

Hood, low version
Bolts for single lever
Side cable entry
Versions with neck

Remark

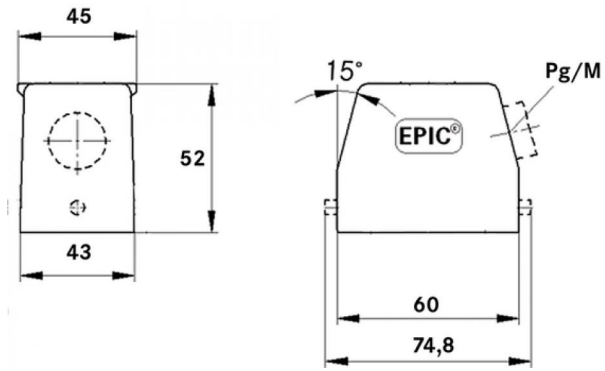
Photographs are not to scale and do not represent detailed images of the respective products.

Technical Data

| | |
|--------------------|--|
| Article: | H-B 6 TS 16 |
| PG: | 16 |
| Neck: | yes |
| Pieces / PU: | 10 |
| Material: | Housing: powder-coated aluminium alloy, grey Lever: zinc-plated steel Sealing: NBR |
| Protection rating: | IP 65 (latched) |
| Temperature range: | -40 °C to +100 °C, short-term up to +125 °C |

| | | |
|--------------------|--------------------------|-------|
| Product Management | Document: EPIC® H-B 6 TS | 1 / 2 |
|--------------------|--------------------------|-------|

| | | |
|-------------------|-----------------------|--|
| U.I. Lapp GmbH | <h1>DATASHEET</h1> |  LAPP GROUP |
| | EPIC® H-B 6 TS | 10022000 14.11.2013 |



| | | |
|--------------------|--------------------------|-------|
| Product Management | Document: EPIC® H-B 6 TS | 2 / 2 |
|--------------------|--------------------------|-------|