
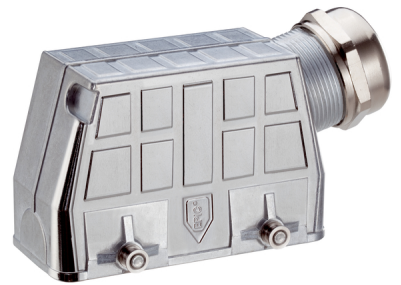


U.I. Lapp GmbH	<b>DATASHEET</b>	
	<b>EPIC® ULTRA H-B 16 TS QB</b>	70250214 14.11.2013

Housing H-B ULTRA: for higher functional reliability  
 Optimum, low-resistance 360° screening  
 All-purpose due to high corrosion resistance and high environmental protection.  
 Space-saving due to compact dimensions  
 Faster than any other comparable system  
 High mechanical resistance



Good chemical resistance



Wide clamping range



Assembly time



Optimum strain relief



Space requirement



Robust



Connector with standard housing unit



Waterproof


#### Info

EMC protection  
 Corrosion-resistant  
 SKINTOP® integrated cable gland

#### Application range

Construction machinery  
 In EMC-sensitive environments  
 For fixed and flexible applications (e.g. machinery building, wind turbines)  
 Electric motor manufacturing

Product Management	Document: EPIC® ULTRA H-B 16 TS QB	1 / 3
--------------------	------------------------------------	-------

U.I. Lapp GmbH	<b>DATASHEET</b>	
	<b>EPIC® ULTRA H-B 16 TS QB</b>	<b>70250214</b> <b>14.11.2013</b>

### Product features

Housings with the BRUSH addition come with BRUSH cable screen contacting  
 Pluggable with standard housings  
 Corrosion-resistant according to DIN EN 6988  
 Resistance to cyclic salt spray is tested according to IEC 68-2-52, severity level 2  
 Salt spray testing according to DIN EN ISO 9227, method NSS, period of test 480 hours


### Remark

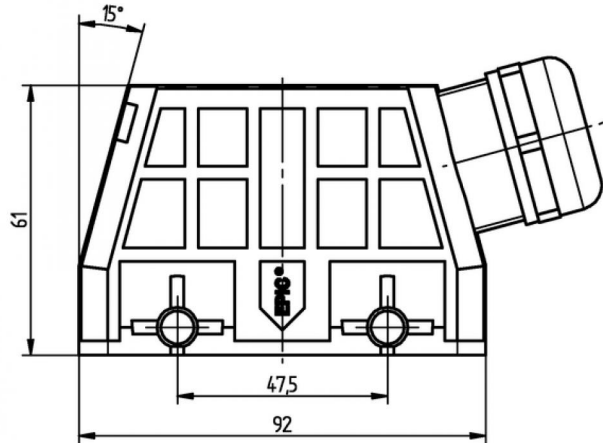
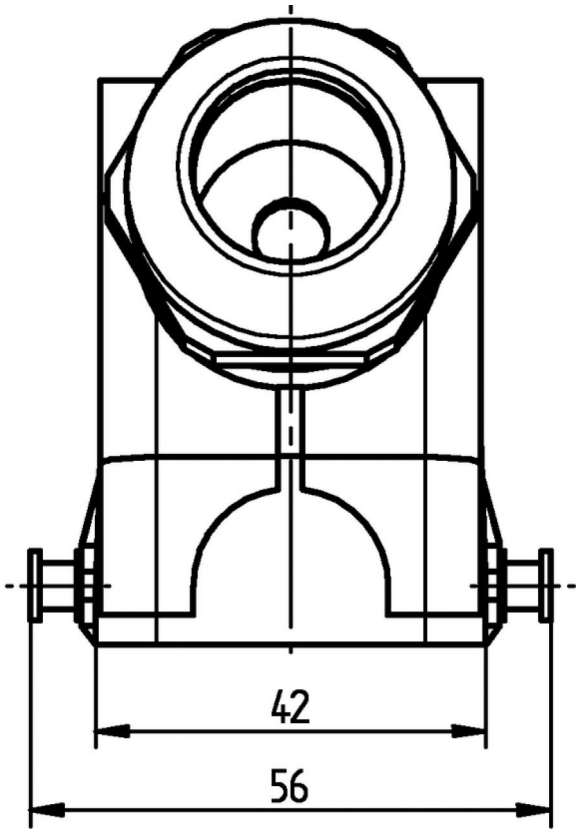
Photographs are not to scale and do not represent detailed images of the respective products.

### Technical Data

Article:	ULTRA H-B 16 TS QB 7-15
Cable clamping range (mm):	7 - 15
Pieces / PU:	1
Material:	Housing: nickel-plated zinc die-casting Lever and bolts: stainless steel Sealing: NBR Cable gland Body: nickel-plated brass Insert: PA Seal: special elastomer
Protection rating:	IP 68
Temperature range:	-40°C to +100°C

Product Management	Document: EPIC® ULTRA H-B 16 TS QB	2 / 3
--------------------	------------------------------------	-------

U.I. Lapp GmbH	<h1>DATASHEET</h1>	
	<b>EPIC® ULTRA H-B 16 TS QB</b>	70250214 14.11.2013



Product Management	Document: EPIC® ULTRA H-B 16 TS QB	3 / 3
--------------------	------------------------------------	-------