

U.I. Lapp GmbH	<h1>DATASHEET</h1>	
	<b>EPIC® ULTRA H-B 6 SGR LB</b>	70250208 14.11.2013

Housing H-B ULTRA: for higher functional reliability  
 Optimum, low-resistance 360° screening  
 All-purpose due to high corrosion resistance and high environmental protection.  
 Space-saving due to compact dimensions  
 Faster than any other comparable system  
 High mechanical resistance



Good chemical resistance



Wide clamping range



Corrosion-resistant



Assembly time



Optimum strain relief



Space requirement



Robust



Integrated SKINTOP® cable gland



Connector with standard housing unit



Waterproof

### Info

EMC protection  
 Corrosion-resistant  
 SKINTOP® integrated cable gland

Product Management	Document: EPIC® ULTRA H-B 6 SGR LB	1 / 3
--------------------	------------------------------------	-------

U.I. Lapp GmbH	<b>DATASHEET</b>	
	<b>EPIC® ULTRA H-B 6 SGR LB</b>	<b>70250208</b> <b>14.11.2013</b>

### Application range

In EMC-sensitive environments  
 For fixed and flexible applications (e.g. machinery building, wind turbines)  
 Construction machinery  
 Electric motor manufacturing

### Product features

Housings with the BRUSH addition come with BRUSH cable screen contacting  
 Pluggable with standard housings  
 Corrosion-resistant according to DIN EN 6988  
 Resistance to cyclic salt spray is tested according to IEC 68-2-52, severity level 2  
 Salt spray testing according to DIN EN ISO 9227, method NSS, period of test 480 hours

### Remark

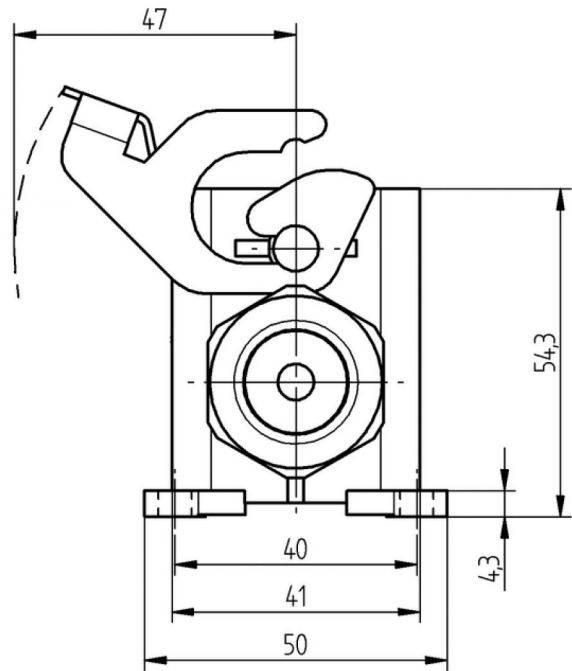
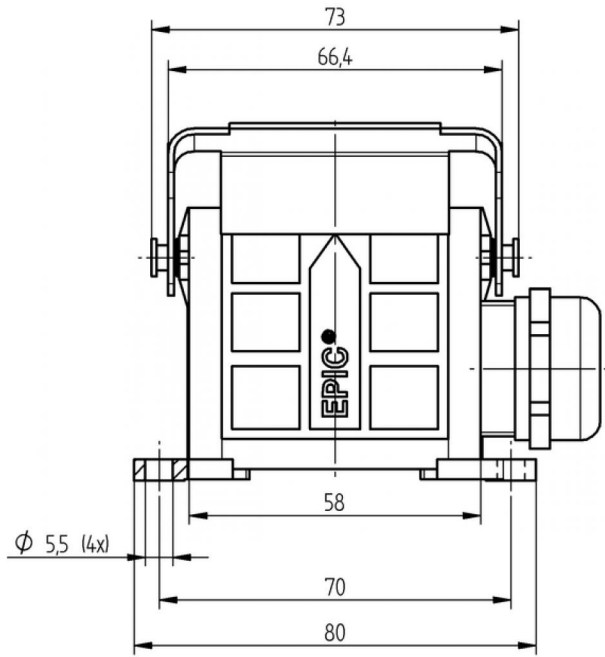
Photographs are not to scale and do not represent detailed images of the respective products.

### Technical Data

Article:	ULTRA H-B 6 SGR LB 9-17
Cable clamping range (mm):	9 - 17
Pieces / PU:	1
Material:	Housing: nickel-plated zinc die-casting Lever and bolts: stainless steel Sealing: NBR Cable gland Body: nickel-plated brass Insert: PA Seal: special elastomer
Protection rating:	IP 65
Temperature range:	-40°C to +100°C

Product Management	Document: EPIC® ULTRA H-B 6 SGR LB	2 / 3
--------------------	------------------------------------	-------

U.I. Lapp GmbH	<h1>DATASHEET</h1>	 <b>LAPP GROUP</b>
	<b>EPIC® ULTRA H-B 6 SGR LB</b>	70250208 14.11.2013



Product Management	Document: EPIC® ULTRA H-B 6 SGR LB	3 / 3
--------------------	------------------------------------	-------