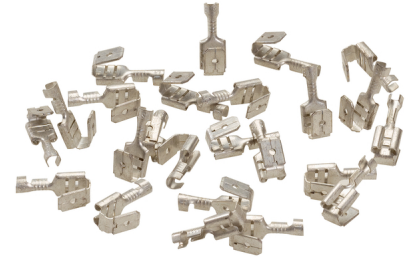


U.I. Lapp GmbH	DATASHEET	
	Panel connectors non-insulated	63501060 14.11.2013

Non-insulated panel connectors made of brass (male, female, type T)



Benefits

Soft and transparent PVC insulating sleeves provide electrical safety

Remark

Photographs are not to scale and do not represent detailed images of the respective products.

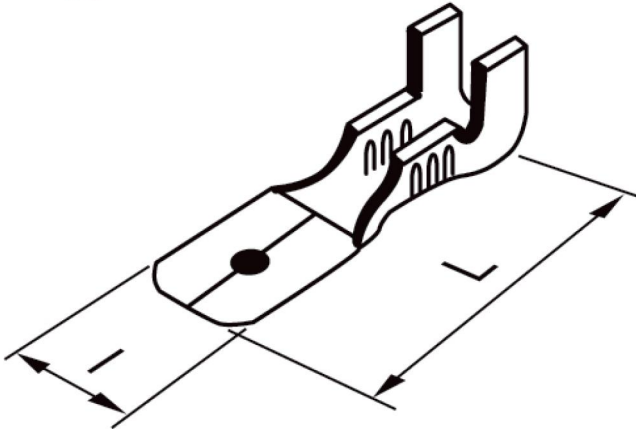
Technical Data

Article designation:	L-BA 285 F
For mm ² :	0,5 - 1
UL approval:	no
Tool:	DRB 0155
Blade connection:	2.8 x 0.5
I:	5
L:	12.7
Pieces / PU:	100
Material:	Brass Electrolytically tinned
Temperature range:	max. +200°C

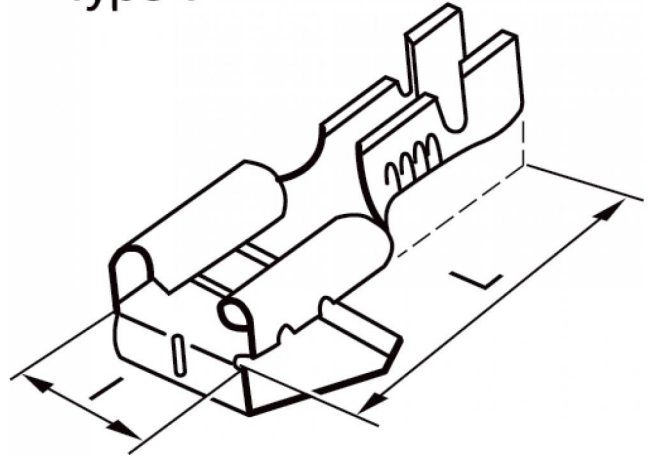
Product Management	Document: Panel connectors non-insulated	1 / 2
--------------------	--	-------

U.I. Lapp GmbH	DATASHEET	 LAPP GROUP
	Panel connectors non-insulated	63501060 14.11.2013

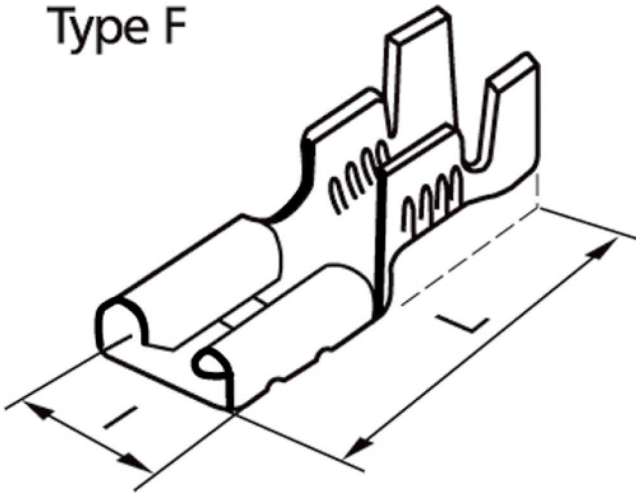
Type M



Type T



Type F



Product Management	Document: Panel connectors non-insulated	2 / 2
--------------------	--	-------