

U.I. Lapp GmbH	<b>DATASHEET</b>	
	<b>Panel connectors non-insulated</b>	<b>63501150</b> <b>14.11.2013</b>

Non-insulated panel connectors made of brass (male, female, type T)



#### Benefits

Soft and transparent PVC insulating sleeves provide electrical safety

#### Remark

Photographs are not to scale and do not represent detailed images of the respective products.

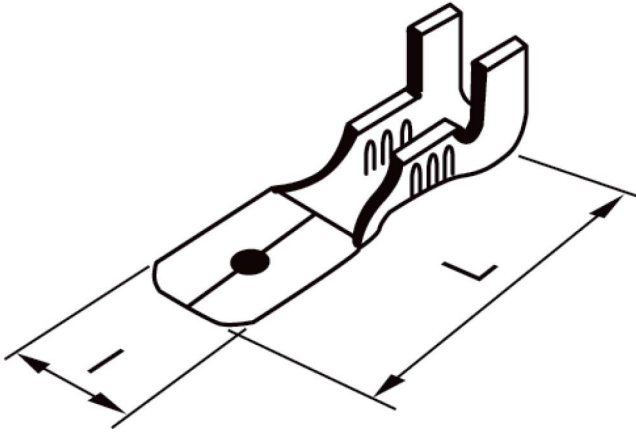
#### Technical Data

Article designation:	L-BA 638 T
For mm <sup>2</sup> :	0,5 - 1,5
UL approval:	no
Tool:	KRB 0560
Blade connection:	6.3 x 0.8
I:	7.5
L:	19
Pieces / PU:	100
Material:	Brass Electrolytically tinned
Temperature range:	max. +200°C

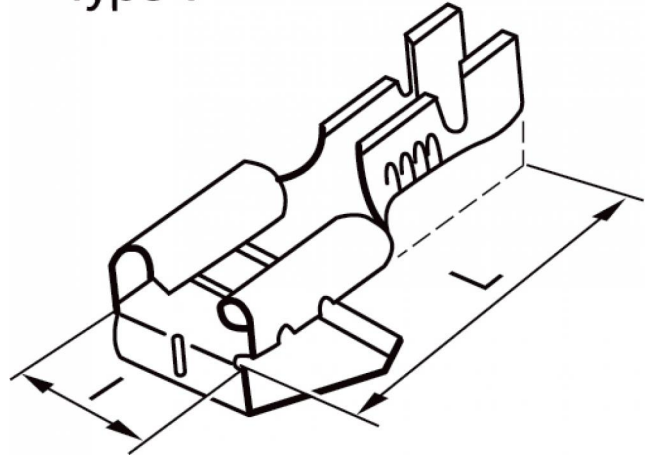
Product Management	Document: Panel connectors non-insulated	1 / 2
--------------------	--	-------

U.I. Lapp GmbH	<b>DATASHEET</b>	 <b>LAPP GROUP</b>
	<b>Panel connectors non-insulated</b>	63501150 14.11.2013

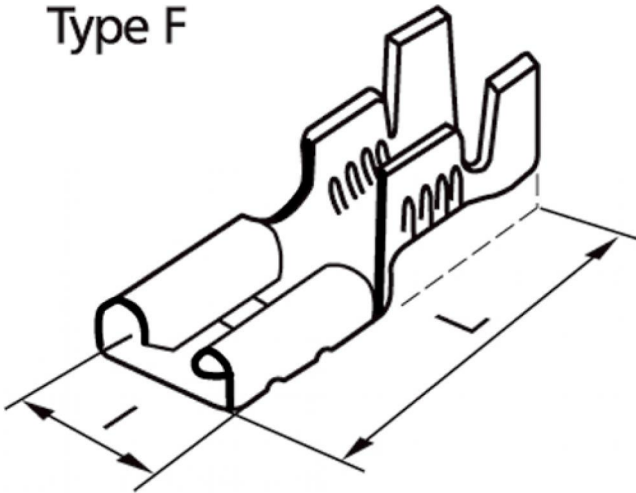
Type M



Type T



Type F



Product Management	Document: Panel connectors non-insulated	2 / 2
--------------------	--	-------