

U.I. Lapp GmbH	DATASHEET	
	EPIC® H-A 10 SDR-LB	79455200 14.11.2013

These connectors are attractive because of their compact housing.
Small and space-saving for narrow available space



Industrial machinery and plant engineering



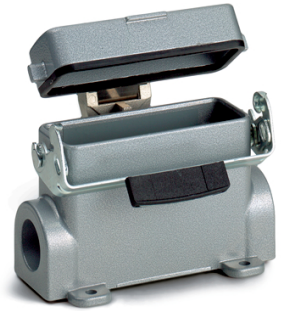
Mechanical resistance



Robust



Waterproof



Info

Compact, robust metal housings size H-A 10

Application range

Machine and equipment manufacturing
Control engineering
Electronic laboratory

Product features

Surface-mount base
Single lever
1 cable entry
Metal cover

Remark

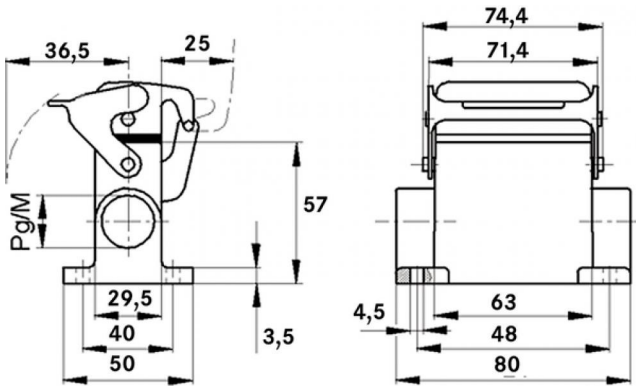
Photographs are not to scale and do not represent detailed images of the respective products.

Technical Data

Article:	H-A 10 SDR-LB M20
M:	20
Pieces / PU:	5
Material:	Housing: aluminium alloy, grey Lever: zinc-plated steel Sealing: NBR
Protection rating:	IP 65 (latched)
Temperature range:	-40 °C to +100 °C, short-term up to +125 °C

Product Management	Document: EPIC® H-A 10 SDR-LB	1 / 2
--------------------	-------------------------------	-------

U.I. Lapp GmbH	<h1>DATASHEET</h1>	 LAPP GROUP
	EPIC® H-A 10 SDR-LB	79455200 14.11.2013



Product Management	Document: EPIC® H-A 10 SDR-LB	2 / 2
--------------------	-------------------------------	-------