

U.I. Lapp GmbH	<b>DATASHEET</b>	
	<b>EPIC® H-A 16 SDR-LB</b>	70485200 14.11.2013

These connectors are attractive because of their compact housing.  
Small and compact, for applications with high number of contacts



Industrial machinery and plant engineering



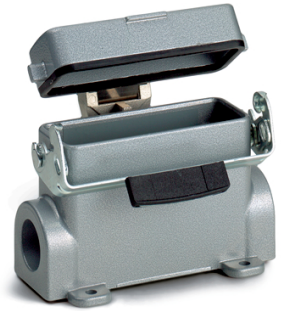
Mechanical resistance



Robust



Waterproof



#### Info

Compact, robust metal housings size H-A 16

#### Application range

Machine and equipment manufacturing  
Control engineering  
Electronic laboratory

#### Product features

Surface-mount base  
Single lever  
1 cable entry  
Metal cover

#### Remark

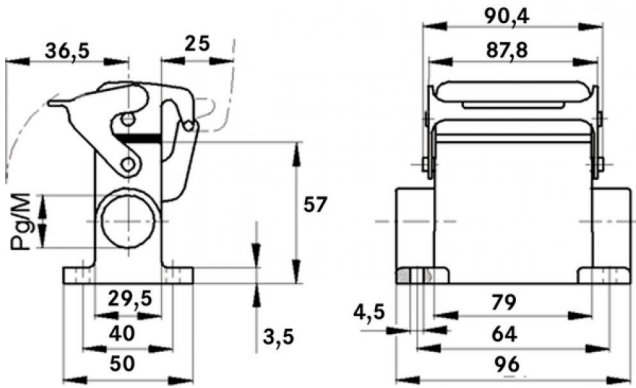
Photographs are not to scale and do not represent detailed images of the respective products.

#### Technical Data

Article:	H-A 16 SDR-LB 16
PG:	16
Pieces / PU:	5
Material:	Housing: aluminium alloy, grey Lever: zinc-plated steel Sealing: NBR
Protection rating:	IP 65 (latched)
Temperature range:	-40 °C to +100 °C, short-term up to +125 °C

Product Management	Document: EPIC® H-A 16 SDR-LB	1 / 2
--------------------	-------------------------------	-------

U.I. Lapp GmbH	<h1>DATASHEET</h1>	
	<b>EPIC® H-A 16 SDR-LB</b>	70485200 14.11.2013



Product Management	Document: EPIC® H-A 16 SDR-LB	2 / 2
--------------------	-------------------------------	-------