

U.I. Lapp GmbH	DATASHEET	
	EPIC® H-A 16 SDR-LB	79485200 14.11.2013

These connectors are attractive because of their compact housing.
Small and compact, for applications with high number of contacts



Industrial machinery and plant engineering



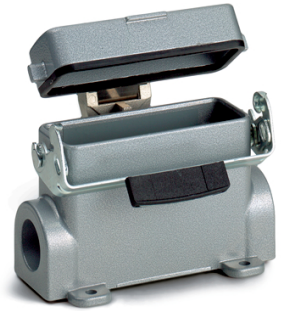
Mechanical resistance



Robust



Waterproof



Info

Compact, robust metal housings size H-A 16

Application range

Machine and equipment manufacturing
Control engineering
Electronic laboratory

Product features

Surface-mount base
Single lever
1 cable entry
Metal cover

Remark

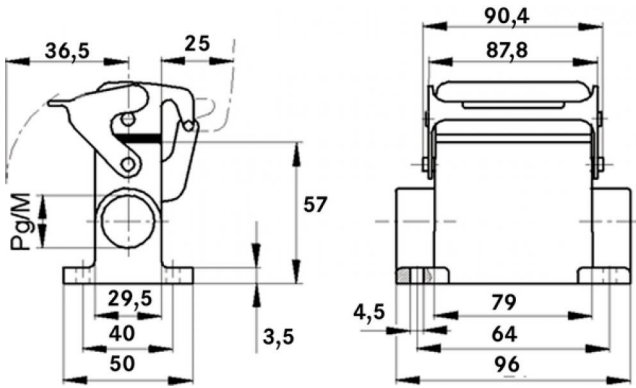
Photographs are not to scale and do not represent detailed images of the respective products.

Technical Data

Article:	H-A 16 SDR-LB M20
M:	20
Pieces / PU:	5
Material:	Housing: aluminium alloy, grey Lever: zinc-plated steel Sealing: NBR
Protection rating:	IP 65 (latched)
Temperature range:	-40 °C to +100 °C, short-term up to +125 °C

Product Management	Document: EPIC® H-A 16 SDR-LB	1 / 2
--------------------	-------------------------------	-------

U.I. Lapp GmbH	DATASHEET	 LAPP GROUP
	EPIC® H-A 16 SDR-LB	79485200 14.11.2013



Product Management	Document: EPIC® H-A 16 SDR-LB	2 / 2
--------------------	-------------------------------	-------