

U.I. Lapp GmbH	DATASHEET	
	EPIC® H-A 3 TS	10427100 14.11.2013

Innovative metal and plastic housing design
Housing in plastic or metal version. For power supply in the smallest possible space



Industrial machinery and plant engineering



Mechanical resistance



Robust



Waterproof



Info

Compact, robust plastic housings size H-A 3

Application range

Machine and equipment manufacturing
Control engineering
Electronic laboratory

Product features

Hood
Bolts for single lever
Side cable entry
Versions with / without cable gland

Remark

Photographs are not to scale and do not represent detailed images of the respective products.

Product Management	Document: EPIC® H-A 3 TS	1 / 3
--------------------	--------------------------	-------

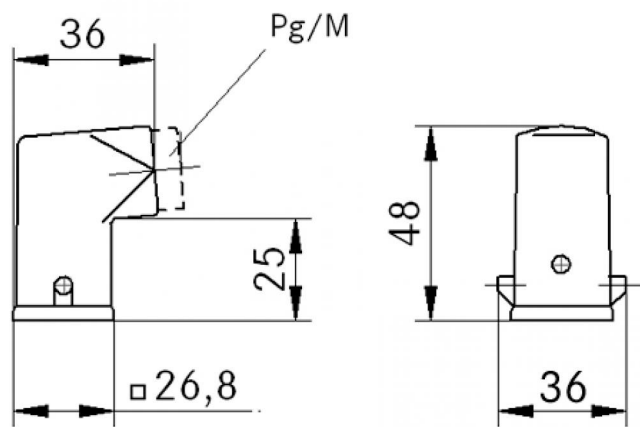
U.I. Lapp GmbH	DATASHEET	
	EPIC® H-A 3 TS	10427100 14.11.2013

Technical Data

Article:	H-A 3 Ts
PG:	11
Material:	Thermoplastic
Colour:	grey
Cable gland:	yes
Cable clamping range:	6,5 - 12
Dimensions incl. cable gland:	48
Pieces / PU:	10
Material:	Housing: grey thermoplastic, black Lever: zinc-plated steel
Protection rating:	IP 65 (latched)
Temperature range:	-40 °C to +100 °C, short-term up to +125 °C
VDE-tested:	Certified production control: VDE-REG. no.: B437
	UL-tested:
	UL File Number: E75770

Product Management	Document: EPIC® H-A 3 TS	2 / 3
--------------------	--------------------------	-------

U.I. Lapp GmbH	<h1>DATASHEET</h1>	 LAPP GROUP
	EPIC® H-A 3 TS	10427100 14.11.2013



Product Management	Document: EPIC® H-A 3 TS	3 / 3
--------------------	--------------------------	-------