

|                   |                             |  |
|-------------------|-----------------------------|--|
| U.I. Lapp<br>GmbH | <h1>DATASHEET</h1>          |  |
|                   | <b>EPIC® H-B 16 SDRH-LB</b> | 70114400<br>14.11.2013   |

Housing design H-B. The industry standard.  
The housing standard. Wide choice for all applications



Automation



Industrial machinery and plant engineering



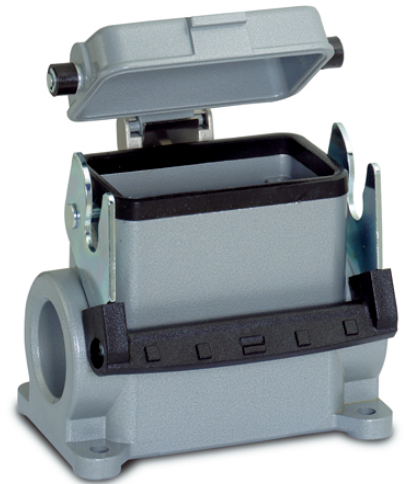
Mechanical resistance



Robust



Waterproof



### Info

Universal, robust metal housings size H-B 16

### Application range

Plant engineering  
Light & sound technology  
Plastics industry

### Product features

Surface-mount base, high version  
Single lever  
1 cable entry  
Metal cover

### Remark

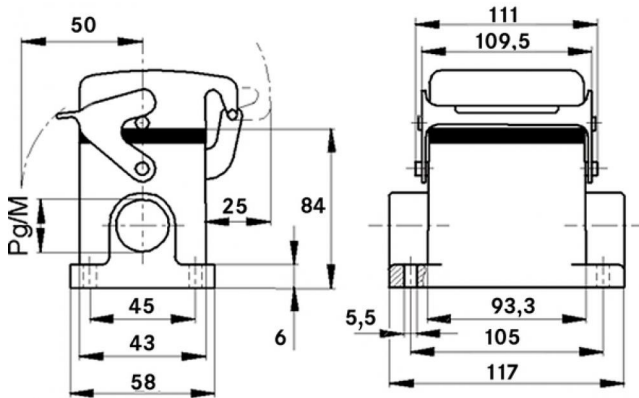
Photographs are not to scale and do not represent detailed images of the respective products.

### Technical Data

|                    |  |
|--------------------|--|
| Article:           | H-B 16 SDRH-LB 29  |
| PG:                | 29   |
| Pieces / PU:       | 5  |
| Material:          | Housing: powder-coated aluminium alloy, grey<br>Lever: zinc-plated steel<br>Sealing: NBR |
| Protection rating: | IP 65 (latched)  |
| Temperature range: | -40 °C to +100 °C, short-term up to +125 °C  |

|                    |                                |       |
|--------------------|--------------------------------|-------|
| Product Management | Document: EPIC® H-B 16 SDRH-LB | 1 / 2 |
|--------------------|--------------------------------|-------|

|                   |                             |  |
|-------------------|-----------------------------|--|
| U.I. Lapp<br>GmbH | <h1>DATASHEET</h1>          |  |
|                   | <b>EPIC® H-B 16 SDRH-LB</b> | 70114400<br>14.11.2013   |



|                    |                                |       |
|--------------------|--------------------------------|-------|
| Product Management | Document: EPIC® H-B 16 SDRH-LB | 2 / 2 |
|--------------------|--------------------------------|-------|