

U.I. Lapp GmbH	<h1>DATASHEET</h1>	
	<b>EPIC® H-B 16 SGRL</b>	<b>10075000</b> <b>14.11.2013</b>

Housing design H-B. The industry standard.  
The housing standard. Wide choice for all applications



Automation



Industrial machinery and plant engineering



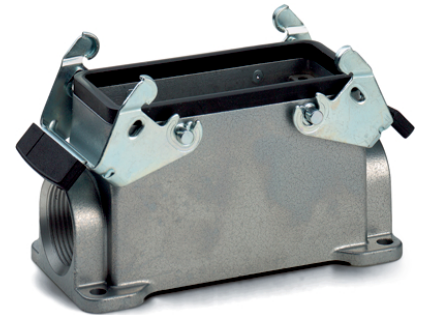
Mechanical resistance



Robust



Waterproof



### Info

Universal, robust metal housings size H-B 16

### Application range

Plant engineering  
Light & sound technology  
Plastics industry

### Product features

Surface-mount base, low version  
Dual levers  
2 cable entries

### Remark

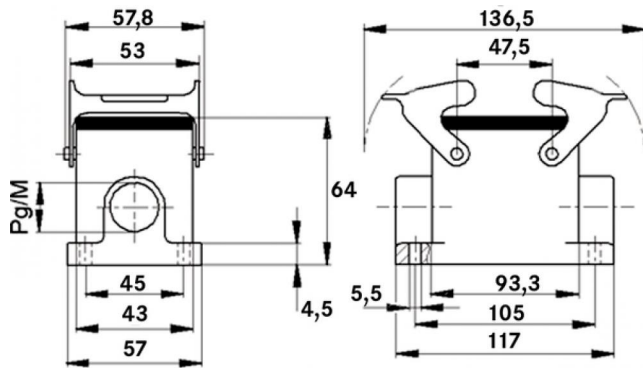
Photographs are not to scale and do not represent detailed images of the respective products.

### Technical Data

Article:	H-B 16 SGRL 21
PG:	21
Pieces / PU:	5
Material:	Housing: powder-coated aluminium alloy, grey Lever: zinc-plated steel Sealing: NBR
Protection rating:	IP 65 (latched)
Temperature range:	-40 °C to +100 °C, short-term up to +125 °C

Product Management	Document: EPIC® H-B 16 SGRL	1 / 2
--------------------	-----------------------------	-------

U.I. Lapp GmbH	<h1>DATASHEET</h1>	 <b>LAPP GROUP</b>
	<b>EPIC® H-B 16 SGRL</b>	<b>10075000</b> <b>14.11.2013</b>



Product Management	Document: EPIC® H-B 16 SGRL	2 / 2
--------------------	-----------------------------	-------