

U.I. Lapp GmbH	DATASHEET	
	EPIC® H-B 24 SDR-LB	19107900 14.11.2013

Housing design H-B. The industry standard.
Ideal for many applications due to a wide range of housings and inserts



Automation



Industrial machinery and plant engineering



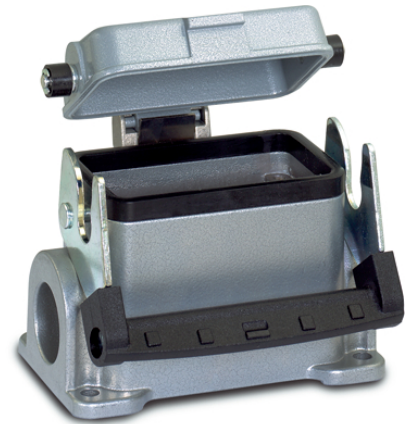
Mechanical resistance



Robust



Waterproof



Info

Universal, robust metal housings size H-B 24

Application range

Plant engineering
Light & sound technology
Plastics industry

Product features

Surface-mount base, low version
Single lever
1 cable entry
Metal cover

Remark

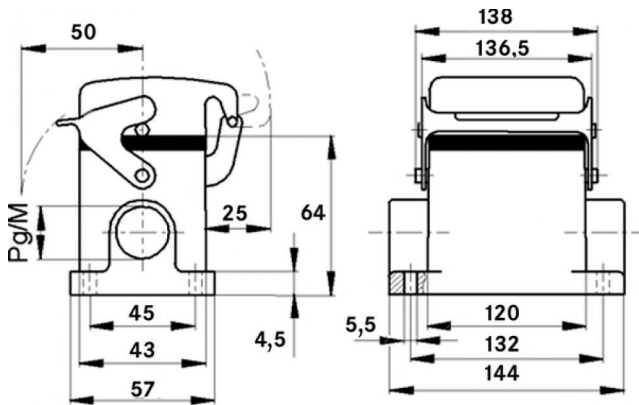
Photographs are not to scale and do not represent detailed images of the respective products.

Technical Data

Article:	H-B 24 SDR-LB M25
M:	25
Pieces / PU:	5
Material:	Housing: powder-coated aluminium alloy, grey Lever: zinc-plated steel Sealing: NBR
Protection rating:	IP 65 (latched)
Temperature range:	-40 °C to +100 °C, short-term up to +125 °C

Product Management	Document: EPIC® H-B 24 SDR-LB	1 / 2
--------------------	-------------------------------	-------

U.I. Lapp GmbH	<h1>DATASHEET</h1>	
	EPIC® H-B 24 SDR-LB	19107900 14.11.2013



Product Management	Document: EPIC® H-B 24 SDR-LB	2 / 2
--------------------	-------------------------------	-------