

| | | |
|-------------------|--------------------------|--|
| U.I. Lapp GmbH | DATASHEET |  |
| | EPIC® H-B 10 TBFH | 79040600 14.11.2013 |

Housing design H-B. The industry standard.
The smallest housing with single and double lever. The right housing is available for every application



Automation



Industrial machinery and plant engineering



Mechanical resistance



Robust



Waterproof



Info

Universal, robust metal housings size H-B 10

Application range

Plant engineering
Light & sound technology
Plastics industry

Product features

Cable coupler hood, high version
Dual levers
Straight cable entry
Versions with / without neck

Remark

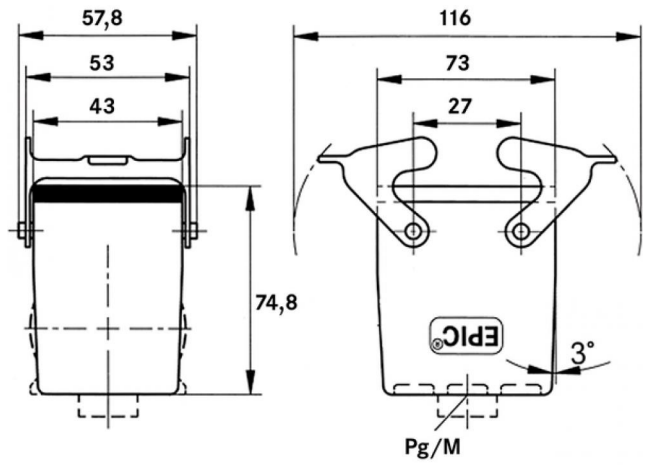
Photographs are not to scale and do not represent detailed images of the respective products.

Technical Data

| | |
|--------------------|--|
| Article: | H-B 10 TBFH M32 |
| M: | 32 |
| Pieces / PU: | 10 |
| Material: | Housing: powder-coated aluminium alloy, grey Lever: zinc-plated steel Sealing: NBR |
| Protection rating: | IP 65 (latched) |
| Temperature range: | -40 °C to +100 °C, short-term up to +125 °C |

| | | |
|--------------------|-----------------------------|-------|
| Product Management | Document: EPIC® H-B 10 TBFH | 1 / 2 |
|--------------------|-----------------------------|-------|

| | | |
|----------------|--------------------------|--|
| U.I. Lapp GmbH | <h1>DATASHEET</h1> |  |
| | EPIC® H-B 10 TBFH | 79040600 14.11.2013 |



| | | |
|--------------------|-----------------------------|-------|
| Product Management | Document: EPIC® H-B 10 TBFH | 2 / 2 |
|--------------------|-----------------------------|-------|