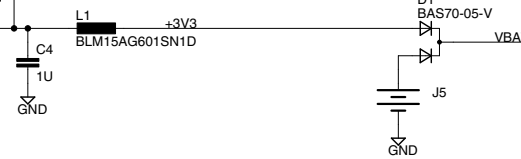
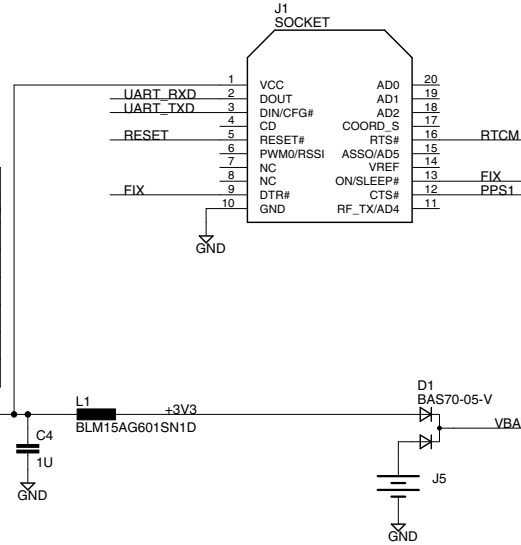
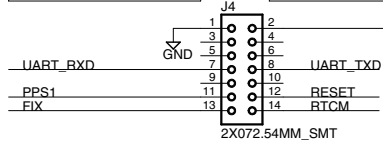
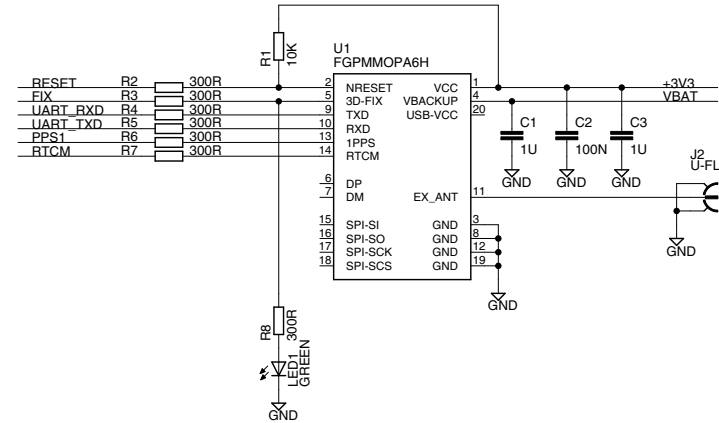


Serial Expansion Connector

1: GND	2: VCC (3.3V, max 250mA)
3: SPI-SCK	4: SPI-MOSI
5: SPI-MISO	6: SPI-SSEL
7: UART-RX/GPIO	8: UART-TX/GPIO
9: I2C-SCL	10: I2C-SDA
11: GPIO	12: GPIO
13: AIN0/GPIO	14: AIN3/AOUT/GPIO



3V, 12mm coin cell battery
Note: battery not included



© Embedded Artists AB

TITLE: GPS Receiver Board rev PA2

Document Number:

Date: 2013-08-20 22:32:24

Sheet: 1/1