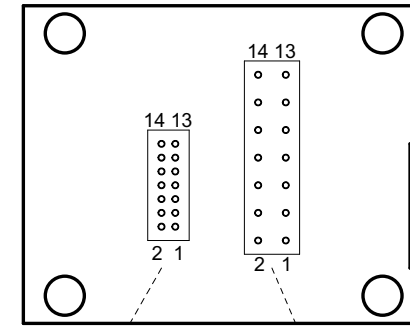
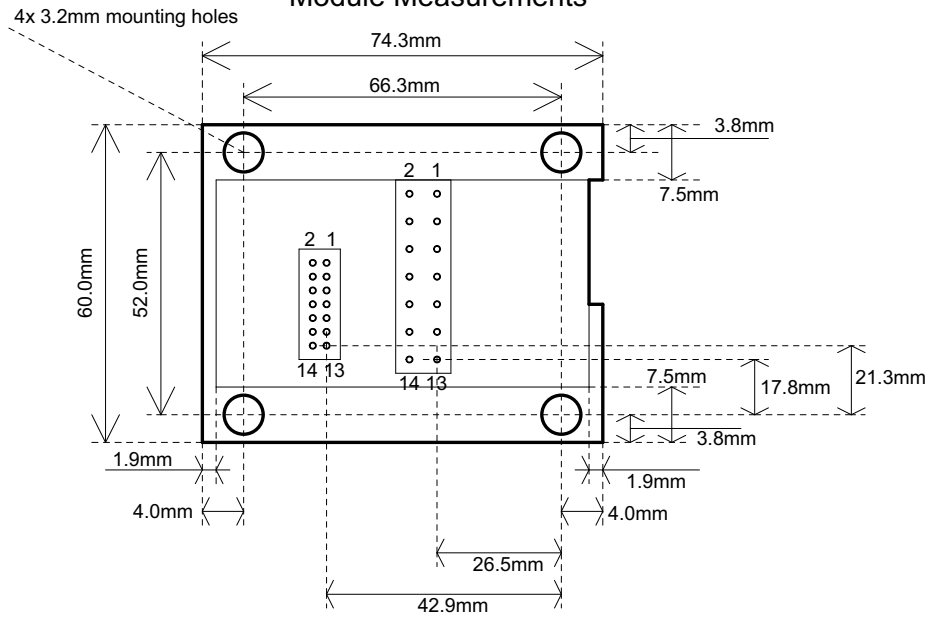


Display side

Component side

Module Measurements



50mil pitch connector

100mil pitch connector

Rev D
Upgrade design for new display (old obsolete).
Direct RPi connector.

Rev C
Added possibility for separate SSEL signal to FLASH.

Rev B
Added SPI FLASH and +5V tolerant I/O for
Arduino compatibility.

Rev A
First release



(C) Embedded Artists AB

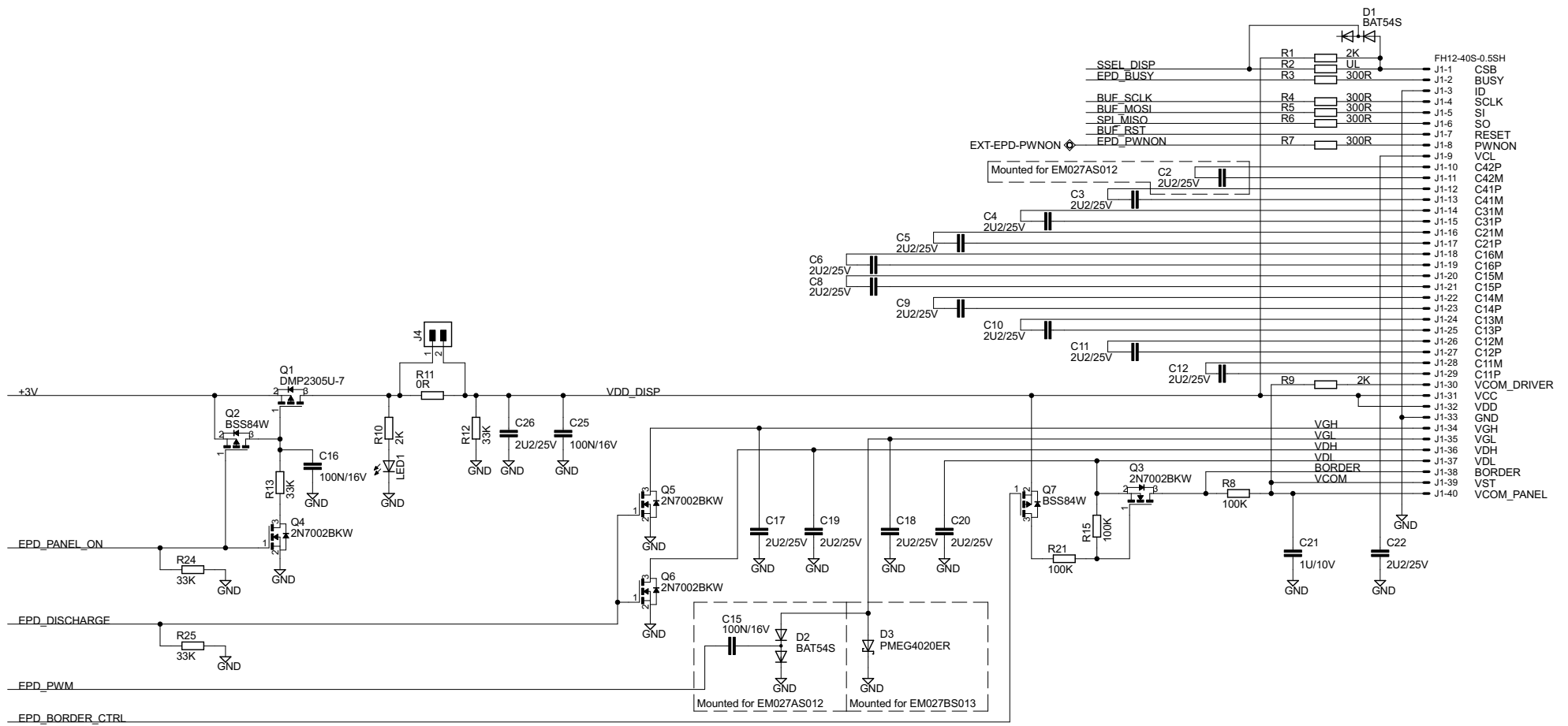
TITLE: E-paper Display Adapter Board rev D


Document Number:

Date: 2014-09-10 13:07:52

Sheet: 1/3

PDI Panel: EM027AS012 and EM027BS013





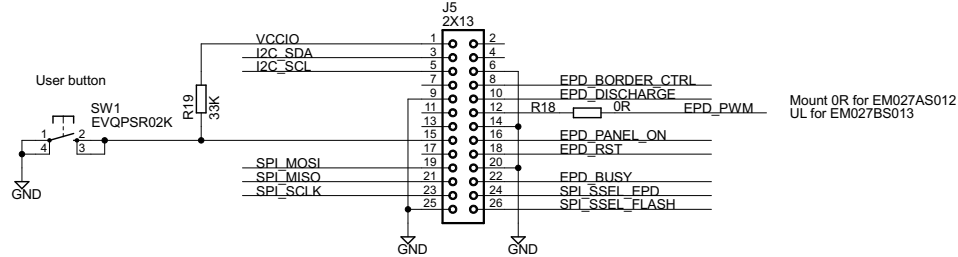
(C) Embedded Artists AB

TITLE: E-paper Display Adapter Board rev D

Document Number:

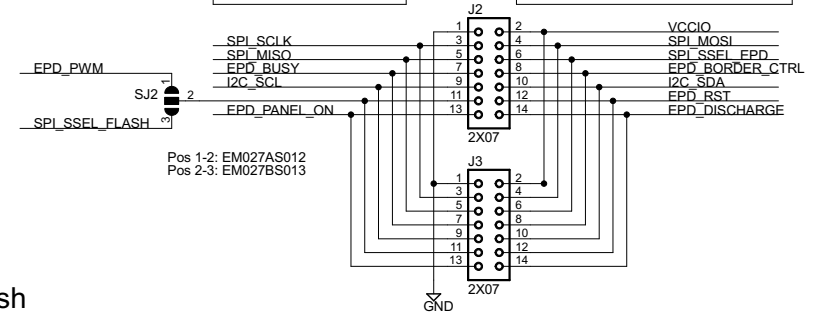
Date: 2014-09-10 13:07:52	Sheet: 2/3
---------------------------	------------

Raspberry Pi™ Compatible Pinning

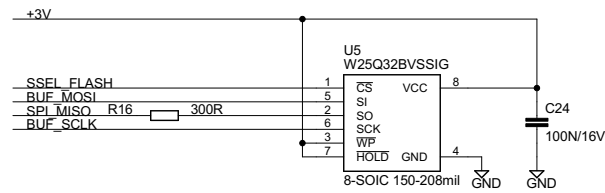


Serial Expansion Connector

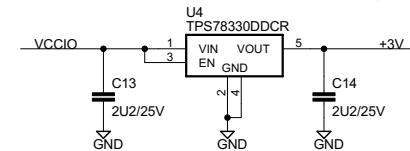
1: GND	2: VCC (3.3-5V, max 250mA)
3: SPI-SCK	4: SPI-MOSI
5: SPI-MISO	6: SPI-SSEL
7: UART-RX/GPIO	8: UART-TX/GPIO
9: I2C-SCL	10: I2C-SDA
11: GPIO	12: GPIO
13: AIN0/GPIO	14: AIN3/AOUT/GPIO



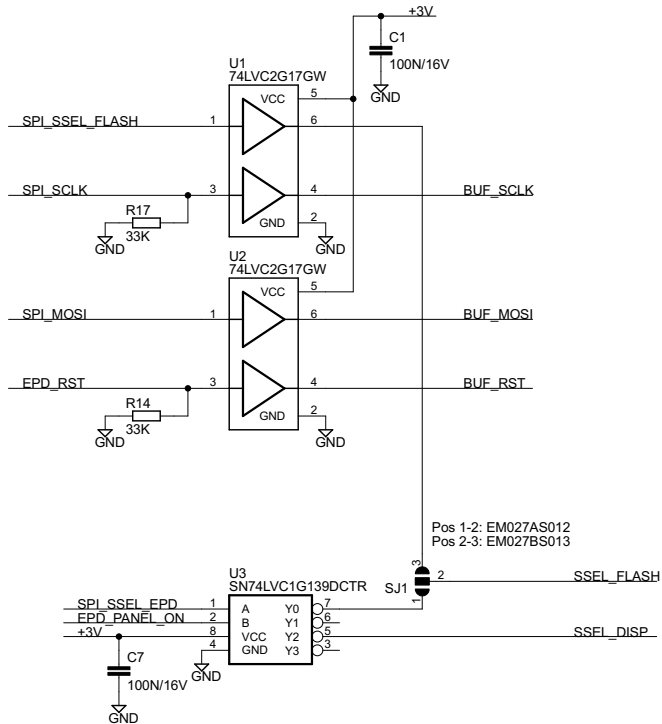
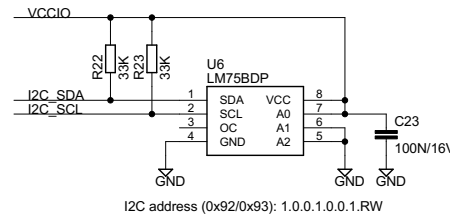
32Mbit SPI-NOR Flash



3.0V / 150mA Supply



LM75 I2C Temperature Sensor



(C) Embedded Artists AB

TITLE: E-paper Display Adapter Board rev D

Document Number:

Date: 2014-09-10 13:07:52

Sheet: 3/3