

We are pleased that you have decided to buy our product. We wish you were a lot of fun with this product.

Information on this user manual.

This user manual contains important information for the safe use of the product.

Therefore, for your own safety and for a successful use, please read this user manual completely before assembling and using the product.

Checking the contents

When unpacking your package make sure that all components are there and intact. If any components are missing or damaged please contact a specialist or your local dealer immediately.

Keep the packing and user manual in a safe place for future transport. When passing on the product to another person, be sure to include the user manual.

Contents

- Water Alarm
- Sensor
- Double Sided Stickers
- User manual

Designated use.

This water alarm with external sensor is used to monitor water leakage and flooding. The water sensor is mounted at the point where detection is wanted. If both poles at the sensor come into contact with water, a visual and acoustic alarm will be triggered. The designated use is also defined by the instruction manual and in following the appliance and the warnings mentioned in this user manual. This device is only designed for your personal safety and convenience not for commercial or industrial use.

General notes

All mentioned company and product names are registered trademarks under the rights of their owners. All rights reserved.

No liabilities will be taken for damages or claims resulting out of not reading and/or not following the user guide and/or any form of modification on or in the product. Under these circumstances, no warranty services will be given. Liability cannot be taken for consequential damages.

The contents of this user manual may differ from the product. If so, please consult additional manuals in the packing. Keep this user manual in a safe place. If you give this product away to a third party, make sure that you also pass on the user manual.

The CE conformity has been declared and proven, and the corresponding documents have been deposited with the manufacturer. For the reason of safety and CE-licensing it is not allowed to modify this unit in any way and/or use it for functions, other than the designated use.

Service | Importer

Service Address	lived non food GmbH TOR 8 – 9 Donaustraße 20 D-38120 Braunschweig
Fon	+49 (0) 531/224356-82
E-Mail	service@x4-life.de
Internet	www.x4-life.de

Importer Address	lived non food GmbH Donaustraße 20 D-38120 Braunschweig
E-Mail	info@lived-non-food.de
Internet	www.lived-non-food.de

Safety guide

Please read the safety guide before using the product. This information is for your safety and the protection of the device and devices connected. You will also find specific safety instructions in the following chapters of this user manual.

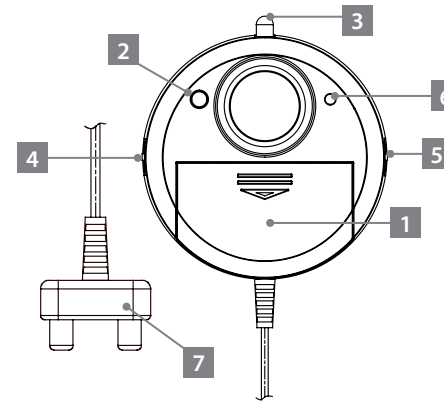
- This product is not a toy and should not be handled by infants and small children. Children cannot assess the dangers connected with electrical devices.
- Do not leave the packaging material lying around. Children might play with the plastic bags and risk suffocation.

Caution! Loud alarm signal!

Do not expose your hearing to this sound for an extended period of time, otherwise severe hearing loss can be the result!

- This device should only be opened and/or repaired by an expert or a person who is qualified to do so. Only original spare parts may be used.
- This device is for indoor use only. Make sure that the alarm unit is not subjected to high humidity or water.
- If the device is not used for a longer period of time, the batteries should be taken out of the device. Batteries stored and active over a longer period of time may leak.
- If you have doubts on the function or questions, please contact your local dealer or our service center.

Getting started



1. Battery Compartment
2. Test Button
3. Status LED
4. On/Off Switch
5. Sensitivity Switch
6. Battery status
7. Sensor

Mounting

- Mount the sensor in the area you want to monitor. We recommend that you mount the sensor with the metal detectors pointing downwards, pointing towards where water is most likely to come in.
- To mount the sensor use the double sided adhesive tape. This makes mounting on a vertical surface very much easier.
- Mount the alarm unit in a higher area, so that it cannot be reached by water.
- Make sure that you have easy access to the unit.

Using the alarm

- Remove the lid of the battery compartment. (1)
- Insert two AAA batteries into the compartment. Make sure that you have the right polarity. The “-” pole should always be connected to the springs in the compartment.
- Check the status of the batteries by pressing the Test button (2). A green LED should light up.
- Switch the On/Off switch (4) to ON. The device is now ready for use.
- You can adjust the intensity of the alarm sound by using the Hi/Lo switch (5).
- Alarm will be triggered when both metal tips of the sensor are inserted into water.
- You switch off a triggered alarm by switching off the device with the On/Off switch (4). When the unit is then switched on again, it will go back to standby and detection mode.

Note: Please check the batteries at regular intervals by pressing the Test button (2). The green LED should go on if the batteries are still charged.

Cleaning and maintenance

Always use a soft, dry and lint-free cloth to clean the unit's exterior. If the device is extremely dirty you can use a soft cloth, dampened with water or a mild cleaning solution to clean. Never use any abrasive or harsh cleaning agents (e.g. alcohol, petrol or thinners) as these could damage the controls, casing or any markings and labels found on the device.

Specifications

Alarm: >120 dB SPL/30 cm
Power supply 3 V/2x AAA batteries
Dim: Ø x H: 73 x 18 mm

Disposal

Electrical- and electronic devices must never be disposed of in the regular household waste!



Consumers are legally obligated and responsible for the proper disposal of electronic and electrical devices by returning them to collecting sites designated for the recycling of electrical and electronic equipment waste. For more information concerning disposal sites, please contact your local authority or waste management company.

Do not throw batteries and rechargeable batteries into the household waste!



Customers are legally obliged to return used and rechargeable batteries, whether they contain harmful substances* or not, designated disposal sites or collecting sites in shops selling batteries. By doing so you are contributing to a better and cleaner environment.

* marking: Cd= Cadmium; Hg= Mercury; Pb= Lead