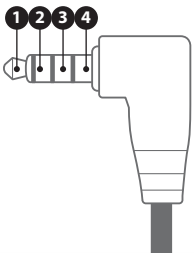


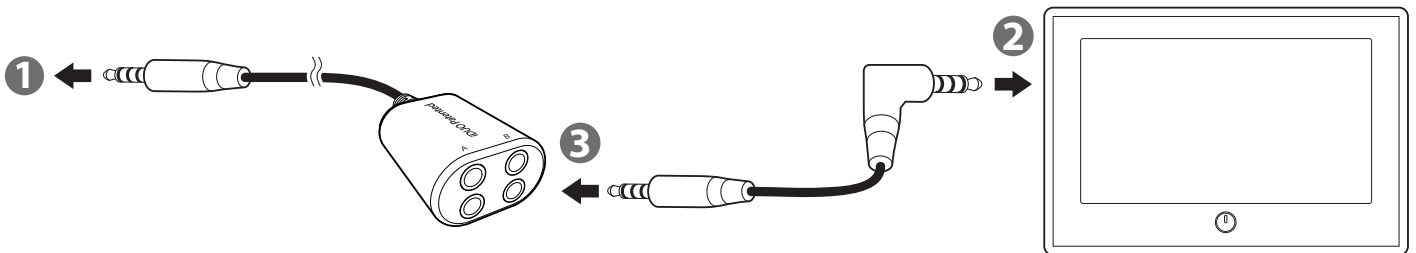


PORT Pin Array

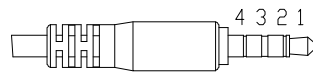
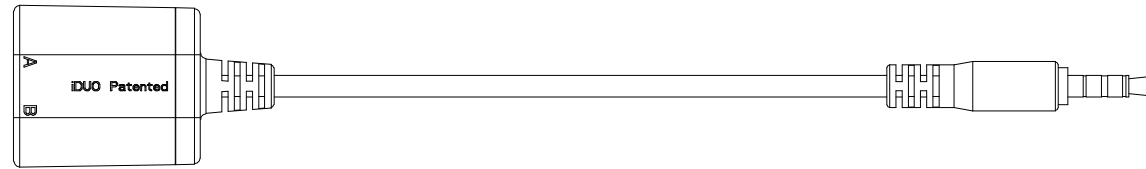
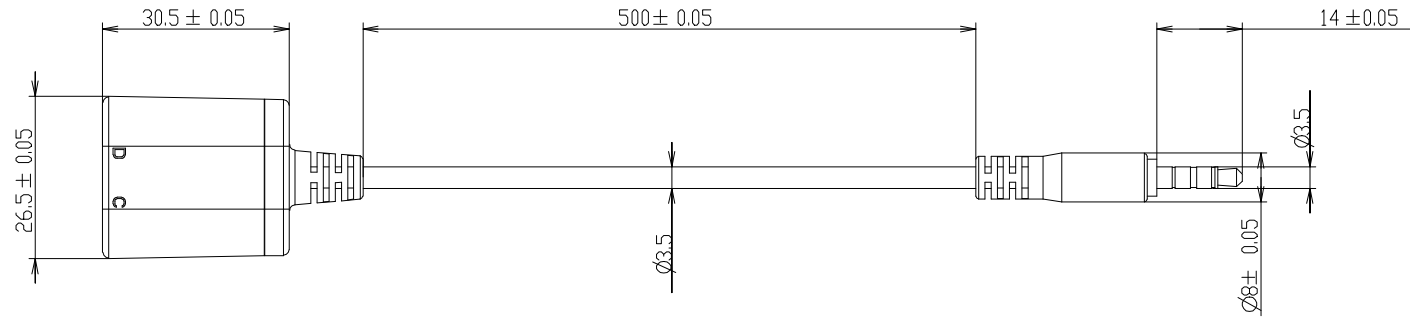
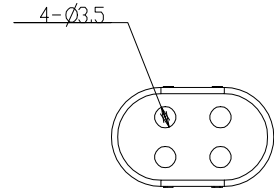


Port	1	2	3	4
A	L	R	V	G
B	L	V	G	R
C	V	L	R	G
D	V	L	G	R

Diagram



1. Connect the iDUO Patented to the "AV-OUT"
2. Connect the stereo cable to the monitor
 - Choose "AV-in" as your monitor input source in the setting of your monitor
3. Connect the other end of the stereo cable to the iDUO Patented
 - The multi gender has four different ports. Choose the right port that is compatible with your monitor



Port	1	2	3	4
A	L	R	V	G
B	L	V	G	R
C	V	L	R	G
D	V	L	G	R

1						1				
S/N	Name			Material		Q'ty	Finished Sizes		Remark	
Unit	mm	Scale	1/1	Tolerance	± 0.05	Drawings	Part's Name	Multi Gender		
							Check	Model Name	REV	
							Approval	Drawing Number	-	
									SHEET	
									1/1	