

U.I. Lapp GmbH	<h1>DATASHEET</h1>	
	SKINDICHT® CN-M	52032620 14.11.2013

For high temperatures
Resistant to oils, solvents, acids and chemicals
Seawater-resistant
For high mechanical stress
High corrosion-resistance



Good chemical resistance



Corrosion-resistant



Mechanical resistance



Robust



Temperature-resistant

Application range

Chromium nickel steel cable gland with VITON® seal, specially designed for use under tough conditions.
Pharmaceutical and petrochemical industry
Offshore sector
Wind power plants
Brickworks

Design

Metric connection thread acc. to EN 50262

Note

Refer to the chart to find a suitable counter-nut for SKINDICHT® SM CrNi M

Remark

Viton® is a registered trademark of DuPont de Nemours
Photographs are not to scale and do not represent detailed images of the respective products.

Product Management	Document: SKINDICHT® CN-M	1 / 3
--------------------	---------------------------	-------

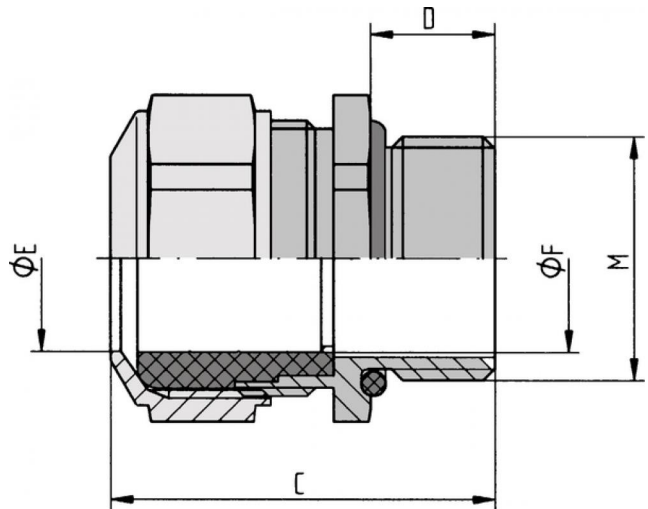
U.I. Lapp GmbH	DATASHEET	 LAPP GROUP
	SKINDICHT® CN-M	52032620 14.11.2013

Technical Data

Article designation / size:	20 x 1,5
Clamping range ØF (mm):	11 - 15
SW (mm):	24
Overall length, C (mm):	31
Thread length, D (mm):	10
Pieces / PU:	5
Caution:	The installation dimensions can be found in appendix T21
Material:	Body: chrome-nickel steel in accordance with DIN, material no. 1.4305 Inner seal: FPM O-ring: FPM
Protection rating:	IP 68 - 5 bar
Temperature range:	-25°C to +200°C

Product Management	Document: SKINDICHT® CN-M	2 / 3
--------------------	---------------------------	-------

U.I. Lapp GmbH	DATASHEET	 LAPP GROUP
	SKINDICHT® CN-M	52032620 14.11.2013



Product Management	Document: SKINDICHT® CN-M	3 / 3
--------------------	---------------------------	-------