

U.I. Lapp GmbH	DATASHEET	
	SKINDICHT® MR-M hexagonal	52101969 14.11.2013

Enables the use of cable glands with smaller connection threads than the existing threaded holes
 With guide notch for O-ring
 Assembling with a wrench



Space requirement

Application range

Machines
 Devices
 Housings

Design

Metric connection thread acc. to EN 50262

Remark

Viton® is a registered trademark of DuPont de Nemours

Photographs are not to scale and do not represent detailed images of the respective products.

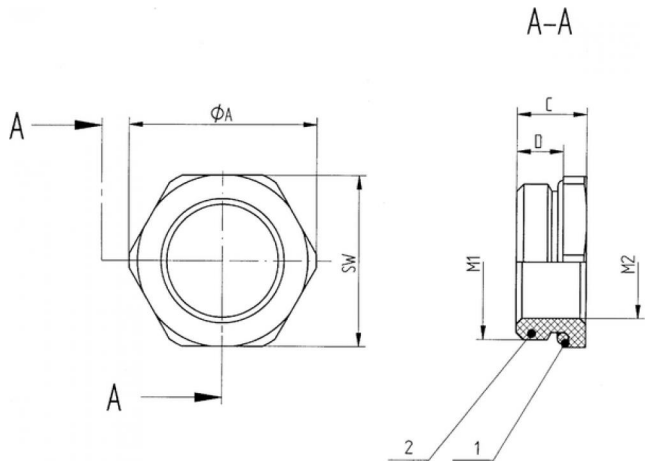
Technical Data

Thread, male M1:	32 x 1.5
Thread, female M2:	16 x 1.5
SW (mm):	36
ØA [mm]:	40
Overall length, C (mm):	11,5
Thread length, D (mm):	8
Pieces / PU:	25
On request:	VITON® O-ring -20 °C to +200 °C
Material:	Body: nickel-plated brass O-ring: NBR
Temperature range:	-30 °C to +100 °C



Product Management	Document: SKINDICHT® MR-M hexagonal	1 / 2
--------------------	-------------------------------------	-------

U.I. Lapp GmbH	DATASHEET	 LAPP GROUP
	SKINDICHT® MR-M hexagonal	52101969 14.11.2013



Product Management	Document: SKINDICHT® MR-M hexagonal	2 / 2
--------------------	-------------------------------------	-------