

| | | |
|-------------------|-----------------------|--|
| U.I. Lapp GmbH | DATASHEET |  |
| | SKINDICHT® RWV | 52004210 14.11.2013 |

Strain relief
Sealed by incised sealing ring
Corrosion-resistant
Decrease in installation height
Seawater-resistant



Corrosion-resistant



Space requirement



Robust



Application range

Angled glands are used in areas where cables have to run in parallel to the housing wall.
Electric motor manufacturing
Machine and equipment manufacturing
Plant engineering
Light and sound applications

Design

PG connection thread

Note

Counter nut to be used: SKINDICHT® SM
For combination with other SKINDICHT® or SKINTOP® cable glands, we propose our SKINDICHT® RWV without incised sealing ring and compression screw

Remark

Photographs are not to scale and do not represent detailed images of the respective products.

| | | |
|--------------------|--------------------------|-------|
| Product Management | Document: SKINDICHT® RWV | 1 / 3 |
|--------------------|--------------------------|-------|

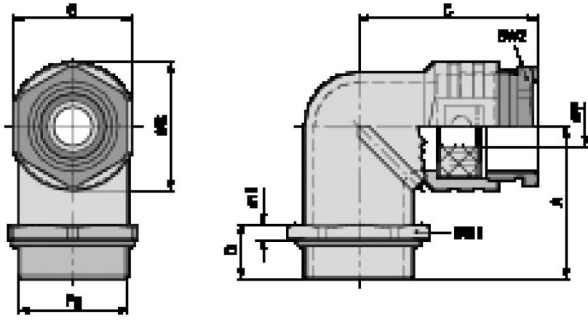
| | | |
|-------------------|-----------------------|--|
| U.I. Lapp GmbH | DATASHEET |  |
| | SKINDICHT® RWV | 52004210 14.11.2013 |

Technical Data

| | |
|-------------------------------|---|
| Article designation / size: | RWV 13,5 |
| A [mm]: | 28.5 |
| G mm: | 22 |
| Ø-B mm: | 24 |
| Incised sealing ring ØF (mm): | 7/10.5/13/16 |
| Overall length, C (mm): | 34,5 |
| Thread length, D (mm): | 10.5 |
| SW1/SW2 mm: | 23 / 20 |
| Pieces / PU: | 25 |
| Material: | Body: zinc die-casting Compression screw and hexagon nut: nickel-plated brass Incised sealing ring: CR O-ring: NBR |
| Protection rating: | IP 55 |
| Temperature range: | -20°C to +80°C Without incised sealing ring: -20°C to +100°C |

| | | |
|--------------------|--------------------------|-------|
| Product Management | Document: SKINDICHT® RWV | 2 / 3 |
|--------------------|--------------------------|-------|

| | | |
|-------------------|-----------------------|--|
| U.I. Lapp GmbH | <h1>DATASHEET</h1> |  LAPP GROUP |
| | SKINDICHT® RWV | 52004210 14.11.2013 |



| | | |
|--------------------|--------------------------|-------|
| Product Management | Document: SKINDICHT® RWV | 3 / 3 |
|--------------------|--------------------------|-------|