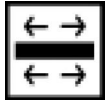


U.I. Lapp GmbH	DATASHEET	
	SKINDICHT® SHV	52002560 14.11.2013

Watertight
Gentle cable clamping
Robust
High strain relief



Optimum strain relief



Robust



Waterproof



Application range

Watertight cable gland with conical sealing element.
Pumps
Floater switches

Design

PG connection thread

Note

Counter nut to be used: SKINDICHT® SM
Suitable accessory: SKINDICHT® SHV sealing cones
Example order designation: SHV 13.5/9/913.5 = PG thread of compression screw₉ = PG connection thread₉ = clear opening of sealing cone

Remark

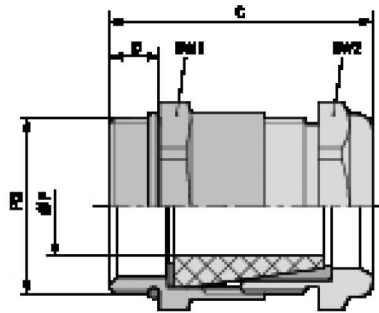
Photographs are not to scale and do not represent detailed images of the respective products.

Technical Data

Article designation / size:	SHV 11/11/9
Clamping range ØF (mm):	6,8 - 8,8
SW 1/2 mm:	20
Overall length, C (mm):	31
Thread length, D (mm):	6
Pieces / PU:	25
Caution:	The installation dimensions can be found in appendix T21
Material:	Body: nickel-plated brass Sealing cone: CR O-ring: NBR
Protection rating:	IP 68 - 10 bar
Temperature range:	-20°C to +80°C

Product Management	Document: SKINDICHT® SHV	1 / 2
--------------------	--------------------------	-------

U.I. Lapp GmbH	<h1>DATASHEET</h1>	 LAPP GROUP
	SKINDICHT® SHV	52002560 14.11.2013



Product Management	Document: SKINDICHT® SHV	2 / 2
--------------------	--------------------------	-------