

U.I. Lapp GmbH	<b>DATASHEET</b>	
	<b>SKINDICHT® SHV</b>	52002590 14.11.2013

Watertight  
Gentle cable clamping  
Robust  
High strain relief



Optimum strain relief



Robust



Waterproof



#### Application range

Watertight cable gland with conical sealing element.  
Pumps  
Floater switches

#### Design

PG connection thread

#### Note

Counter nut to be used: SKINDICHT® SM  
Suitable accessory: SKINDICHT® SHV sealing cones  
Example order designation: SHV 13.5/9/913.5 = PG thread of compression screw<sub>9</sub> = PG connection thread<sub>9</sub> = clear opening of sealing cone

#### Remark

Photographs are not to scale and do not represent detailed images of the respective products.

#### Technical Data

Article designation / size: SHV 13,5/13,5/11

Clamping range ØF (mm): 8,5 - 10,8

SW 1/2 mm: 22

Overall length, C (mm): 33

Thread length, D (mm): 6.5

Pieces / PU: 25

Caution: The installation dimensions can be found in appendix T21

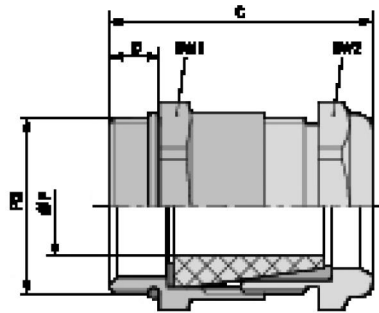
Material: Body: nickel-plated brass  
Sealing cone: CR  
O-ring: NBR

Protection rating: IP 68 - 10 bar

Temperature range: -20°C to +80°C

Product Management	Document: SKINDICHT® SHV	1 / 2
--------------------	--------------------------	-------

U.I. Lapp GmbH	<h1>DATASHEET</h1>	 <b>LAPP GROUP</b>
	<b>SKINDICHT® SHV</b>	<b>52002590</b> <b>14.11.2013</b>



Product Management	Document: SKINDICHT® SHV	2 / 2
--------------------	--------------------------	-------