

U.I. Lapp GmbH	DATASHEET	
	SKINDICHT® SHVE-M	52106970 14.11.2013

Optimum, low-resistance 360° screen contact
High degree of protection
High strain relief



Optimum strain relief



Interference signals



Waterproof



Application range

Earthing gland, for applications where electrical interference fields can occur.
Medical engineering
Frequency converters
Airports
Measurement and control technology

Design

1 fitting
2 earth sleeves
3 sealing cones
4 cone, brass
5 compression screws

Note

Counter nut to be used: SKINDICHT® SM-M
SKINDICHT® SM-PE-M counter nut should be used to ensure optimum contact with painted, anodised or powder-coated housings
For more EMC cable glands, refer to SKINTOP® MS-SC-M and MS-M BRUSH, and compatible counter nut SKINDICHT® SM-PE-M
Example order identification: SHVE-M 20 / 16 / 15 / 1120 = Connection thread metric16 = Function thread PG15 = Clear width of sealing cone11 = Clear width of earthing sleeve

Remark

Photographs are not to scale and do not represent detailed images of the respective products.

Product Management	Document: SKINDICHT® SHVE-M	1 / 3
--------------------	-----------------------------	-------

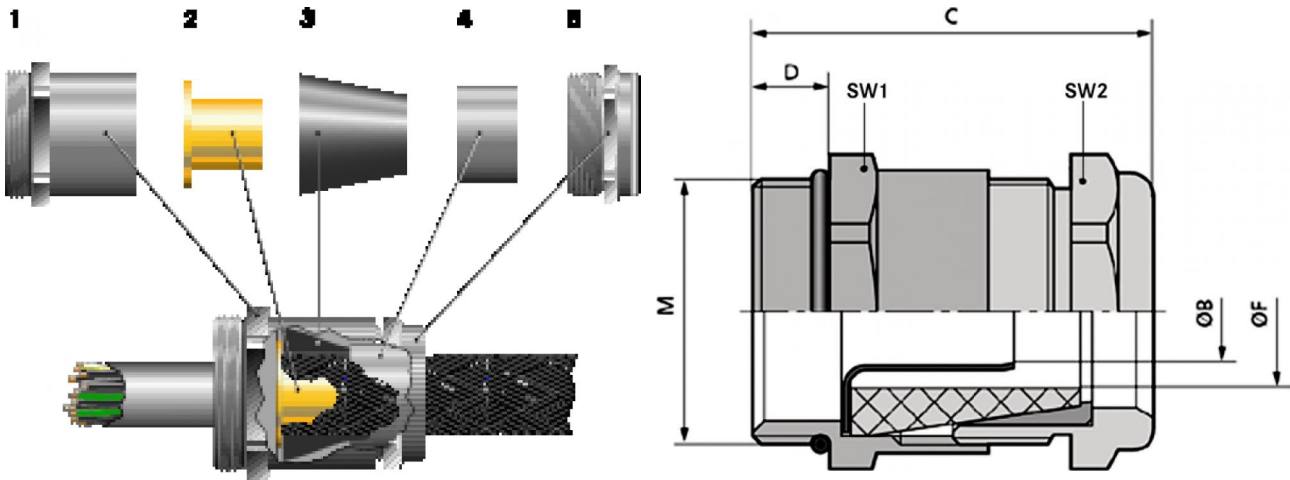
U.I. Lapp GmbH	DATASHEET	
	SKINDICHT® SHVE-M	52106970 14.11.2013

Technical Data

Article designation / size:	20 x 1,5
Function thread PG:	16
Outer sheath clamping range ØF (mm):	10 - 12,8
Inner sheath clamping range (mm):	7 - 9
SW1/SW2 mm:	24 / 24
Overall length, C (mm):	34,5
Thread length, D (mm):	6
Clear opening earthing sleeve ØB:	9
Clear opening F (mm):	13
Pieces / PU:	25
Caution:	The installation dimensions can be found in appendix T21
Material:	Body: nickel-plated brass Earthing sleeve: blank brass Sealing cone: CR O-ring: NBR
Protection rating:	IP 68 - 10 bar
Temperature range:	-20°C to +80°C

Product Management	Document: SKINDICHT® SHVE-M	2 / 3
--------------------	-----------------------------	-------

U.I. Lapp GmbH	DATASHEET	 LAPP GROUP
	SKINDICHT® SHVE-M	52106970 14.11.2013



Product Management	Document: SKINDICHT® SHVE-M	3 / 3
--------------------	-----------------------------	-------