

U.I. Lapp GmbH	<b>DATASHEET</b>	
	<b>SKINDICHT® SHVE-M</b>	52106940 14.11.2013

Optimum, low-resistance 360° screen contact  
High degree of protection  
High strain relief



Optimum strain relief



Interference signals



Waterproof



### Application range

Earthing gland, for applications where electrical interference fields can occur.  
Medical engineering  
Frequency converters  
Airports  
Measurement and control technology

### Design

1 fitting  
2 earth sleeves  
3 sealing cones  
4 cone, brass  
5 compression screws

### Note

Counter nut to be used: SKINDICHT® SM-M  
SKINDICHT® SM-PE-M counter nut should be used to ensure optimum contact with painted, anodised or powder-coated housings  
For more EMC cable glands, refer to SKINTOP® MS-SC-M and MS-M BRUSH, and compatible counter nut SKINDICHT® SM-PE-M  
Example order identification: SHVE-M 20 / 16 / 15 / 1120 = Connection thread metric16 = Function thread PG15 = Clear width of sealing cone11 = Clear width of earthing sleeve

### Remark

Photographs are not to scale and do not represent detailed images of the respective products.

Product Management	Document: SKINDICHT® SHVE-M	1 / 3
--------------------	-----------------------------	-------

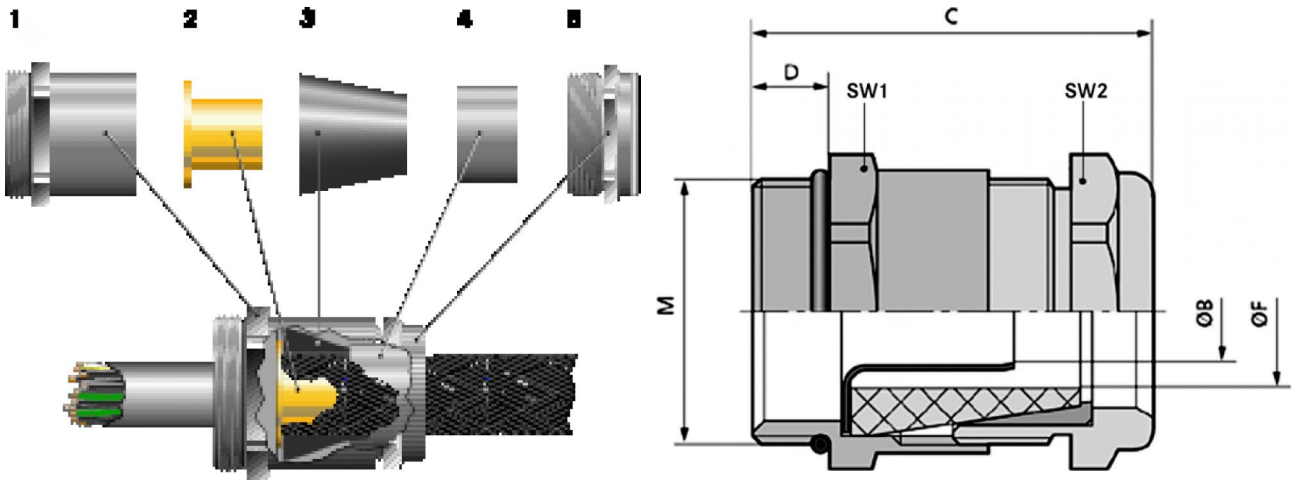
U.I. Lapp GmbH	<b>DATASHEET</b>	
	<b>SKINDICHT® SHVE-M</b>	<b>52106940</b> <b>14.11.2013</b>

### Technical Data

Article designation / size:	20 x 1,5
Function thread PG:	13.5
Outer sheath clamping range ØF (mm):	6 - 8,8
Inner sheath clamping range (mm):	4,5 - 5,95
SW1/SW2 mm:	22 / 22
Overall length, C (mm):	32
Thread length, D (mm):	6
Clear opening earthing sleeve ØB:	6
Clear opening F (mm):	9
Pieces / PU:	25
Caution:	The installation dimensions can be found in appendix T21
Material:	Body: nickel-plated brass Earthing sleeve: blank brass Sealing cone: CR O-ring: NBR
Protection rating:	IP 68 - 10 bar
Temperature range:	-20°C to +80°C

Product Management	Document: SKINDICHT® SHVE-M	2 / 3
--------------------	-----------------------------	-------

U.I. Lapp GmbH	<b>DATASHEET</b>	 <b>LAPP GROUP</b>
	<b>SKINDICHT® SHVE-M</b>	52106940 14.11.2013



Product Management	Document: SKINDICHT® SHVE-M	3 / 3
--------------------	-----------------------------	-------