

|                   |                          |  |
|-------------------|--------------------------|--|
| U.I. Lapp<br>GmbH | <b>DATASHEET</b>         |  |
|                   | <b>SKINDICHT® SHVE-M</b> | 52106990<br>14.11.2013   |

Optimum, low-resistance 360° screen contact  
High degree of protection  
High strain relief



Optimum strain relief



Interference signals



Waterproof



### Application range

Earthing gland, for applications where electrical interference fields can occur.  
Medical engineering  
Frequency converters  
Airports  
Measurement and control technology

### Design

1 fitting  
2 earth sleeves  
3 sealing cones  
4 cone, brass  
5 compression screws

### Note

Counter nut to be used: SKINDICHT® SM-M  
SKINDICHT® SM-PE-M counter nut should be used to ensure optimum contact with painted, anodised or powder-coated housings  
For more EMC cable glands, refer to SKINTOP® MS-SC-M and MS-M BRUSH, and compatible counter nut SKINDICHT® SM-PE-M  
Example order identification: SHVE-M 20 / 16 / 15 / 1120 = Connection thread metric16 = Function thread PG15 = Clear width of sealing cone11 = Clear width of earthing sleeve

### Remark

Photographs are not to scale and do not represent detailed images of the respective products.

|                    |                             |       |
|--------------------|-----------------------------|-------|
| Product Management | Document: SKINDICHT® SHVE-M | 1 / 3 |
|--------------------|-----------------------------|-------|

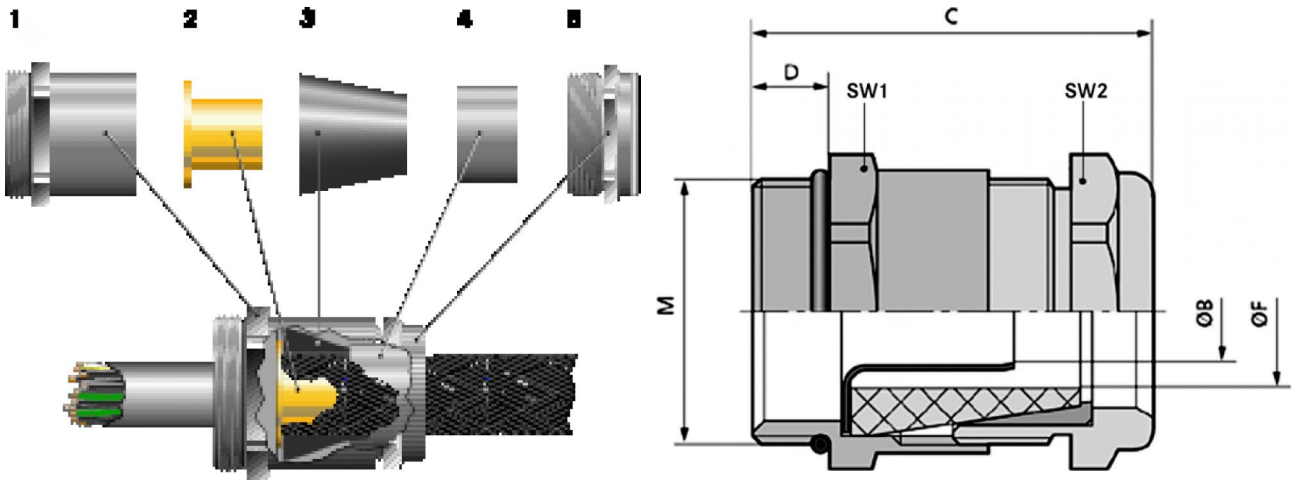
|                   |                          |  |
|-------------------|--------------------------|--|
| U.I. Lapp<br>GmbH | <b>DATASHEET</b>         |  |
|                   | <b>SKINDICHT® SHVE-M</b> | <b>52106990</b><br><b>14.11.2013</b>   |

### Technical Data

|                                      |  |
|--------------------------------------|--|
| Article designation / size:          | 20 x 1,5   |
| Function thread PG:                  | 16   |
| Outer sheath clamping range ØF (mm): | 12,5 - 14,8  |
| Inner sheath clamping range (mm):    | 9 - 11,03  |
| SW1/SW2 mm:                          | 24 / 24  |
| Overall length, C (mm):              | 34,5   |
| Thread length, D (mm):               | 6  |
| Clear opening earthing sleeve ØB:    | 11   |
| Clear opening F (mm):                | 15   |
| Pieces / PU:                         | 25   |
| Caution:                             | The installation dimensions<br>can be found in appendix T21                                  |
| Material:                            | Body: nickel-plated brass<br>Earthing sleeve: blank brass<br>Sealing cone: CR<br>O-ring: NBR |
| Protection rating:                   | IP 68 - 10 bar   |
| Temperature range:                   | -20°C to +80°C   |

|                    |                             |       |
|--------------------|-----------------------------|-------|
| Product Management | Document: SKINDICHT® SHVE-M | 2 / 3 |
|--------------------|-----------------------------|-------|

|                   |                          |  |
|-------------------|--------------------------|--|
| U.I. Lapp<br>GmbH | <h1>DATASHEET</h1>       |  |
|                   | <b>SKINDICHT® SHVE-M</b> | 52106990<br>14.11.2013   |



|                    |                             |       |
|--------------------|-----------------------------|-------|
| Product Management | Document: SKINDICHT® SHVE-M | 3 / 3 |
|--------------------|-----------------------------|-------|