

U.I. Lapp GmbH	<b>DATASHEET</b>	
	<b>SKINDICHT® SHV VITON®</b>	52024962 14.11.2013

For high temperatures  
Resistant to oils, solvents, acids and chemicals  
Watertight  
High strain relief  
Robust



Optimum strain relief



Robust



Temperature-resistant



#### Application range

Watertight and high temperature-resistant cable gland with special conical VITON® sealing element.

Brickworks  
Sewage treatment plants  
Car wash sites

#### Design

1 fitting  
2 washers  
3 VITON® sealing cone  
4 brass cones  
5 compression screws

#### Note

Counter nut to be used: SKINDICHT® SM  
SHV-VITON® 13,5/9/11

#### Remark

Viton® is a registered trademark of DuPont de Nemours  
Photographs are not to scale and do not represent detailed images of the respective products.

Product Management	Document: SKINDICHT® SHV VITON®	1 / 3
--------------------	---------------------------------	-------

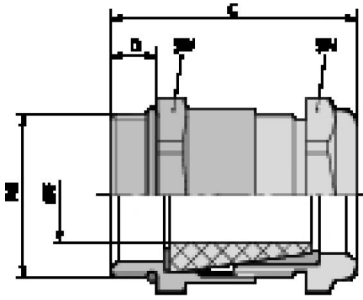
U.I. Lapp GmbH	<b>DATASHEET</b>	
	<b>SKINDICHT® SHV VITON®</b>	<b>52024962</b> <b>14.11.2013</b>

**Technical Data**

Article designation / size:	SHV-V 13,5/13,5/11
Clamping range ØF (mm):	8,5 - 10,8
SW (mm):	22
Overall length, C (mm):	33
Thread length, D (mm):	6.5
Pieces / PU:	25
Caution:	The installation dimensions can be found in appendix T21
Material:	Body: nickel-plated brass Sealing cone: FKM O-ring: FKM
Protection rating:	IP 68 - 10 bar
Temperature range:	-15°C to +200°C

Product Management	Document: SKINDICHT® SHV VITON®	2 / 3
--------------------	---------------------------------	-------

U.I. Lapp GmbH	<h1>DATASHEET</h1>	 <b>LAPP GROUP</b>
	<b>SKINDICHT® SHV VITON®</b>	<b>52024962</b> <b>14.11.2013</b>



Product Management	Document: SKINDICHT® SHV VITON®	3 / 3
--------------------	---------------------------------	-------