

| | | |
|-------------------|--------------------------|--|
| U.I. Lapp GmbH | DATASHEET |  |
| | SKINDICHT® SVFK-M | 52107902 14.11.2013 |

Economical type
Lateral sealing lips fit automatically around various cable dimensions
Cable-specific seal dimensions are no longer necessary
Tolerance
Large opening allows clamping of up to two flat cables



Wide clamping range



Maximum vibration protection



Assembly time



Application range

For inserting flat cables.
Conveyor systems
Pumps
Lifts
Control cabinet manufacturing

Design

Metric connection thread acc. to EN 50262

Note

Counter nut to be used: SKINTOP® GMP-GL-M
For suitable flat cables, refer to ÖLFLEX® LIFT F for indoor applications or ÖLFLEX® CRANE F for outdoor applications

Remark

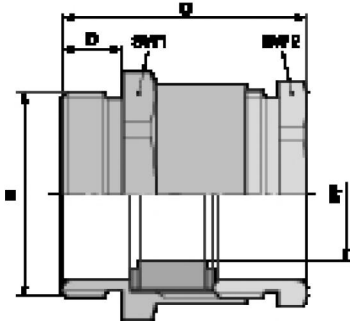
Photographs are not to scale and do not represent detailed images of the respective products.

Technical Data

| | |
|---------------------------------|--|
| Article designation / size: | SVFK-M 40 x 1,5 |
| Min./max. flat cable width: | 16 / 28 |
| Min./max. cable thickness (mm): | 4 - 11,5 |
| SW1/SW2 mm: | 42 / 40 |
| Overall length, C (mm): | 44 |
| Thread length, D (mm): | 11 |
| Pieces / PU: | 25 |
| Caution: | The installation dimensions can be found in appendix T21 |
| Colour delivered: | Light grey (RAL 7035) |
| Material: | Body: Polyamide Special sealing insert: CR |
| Temperature range: | -30°C to +80°C |

| | | |
|--------------------|-----------------------------|-------|
| Product Management | Document: SKINDICHT® SVFK-M | 1 / 2 |
|--------------------|-----------------------------|-------|

| | | |
|-------------------|--------------------------|--|
| U.I. Lapp GmbH | <h1>DATASHEET</h1> |  LAPP GROUP |
| | SKINDICHT® SVFK-M | 52107902 14.11.2013 |



| | | |
|--------------------|-----------------------------|-------|
| Product Management | Document: SKINDICHT® SVFK-M | 2 / 2 |
|--------------------|-----------------------------|-------|