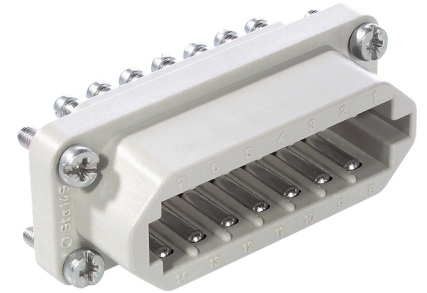


U.I. Lapp GmbH	<b>DATASHEET</b>	
	<b>EPIC® STA 14 Screw termination</b>	<b>10493100</b> <b>14.11.2013</b>

The proven STA inserts for screw termination and solder termination.  
 STA inserts - proven by the strong contact springs.  
 The proven STA inserts for screw termination and solder termination.



Industrial machinery and plant engineering



### Application range

Control systems  
 Rack technology  
 Electronic laboratory

### Remark

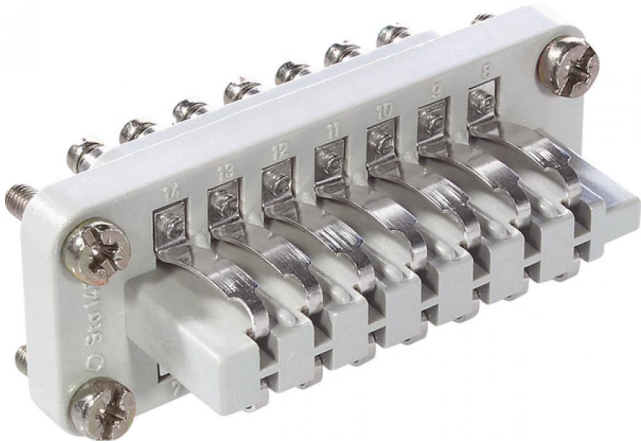
Photographs are not to scale and do not represent detailed images of the respective products.

### Technical Data

Article:	STA 14 FS
Version:	female
Contacts:	1 - 14
Pieces / PU:	5
Rated voltage (V):	IEC: 24 B AC, 60 B DC UL: 48 B CSA: 48 B
Rated current (A):	IEC: 7.5 A UL: 7.5 A CSA: 7.5 A
Contact resistance:	< 3 mOhm
Contacts:	Copper alloy, tinned
Number of contacts:	14
Termination methods:	Screw termination: 0.5 - 1.5 mm <sup>2</sup>
Cycle of mechanical operation:	100
Temperature range:	-40°C až +80°C
Degree of soiling:	2

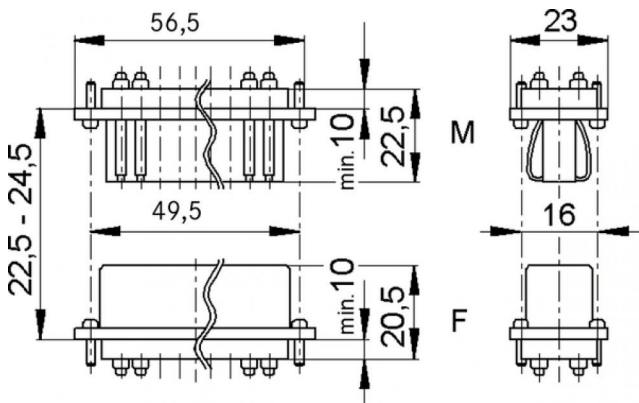
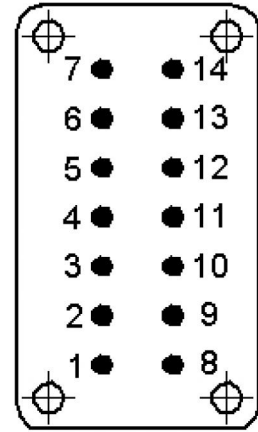
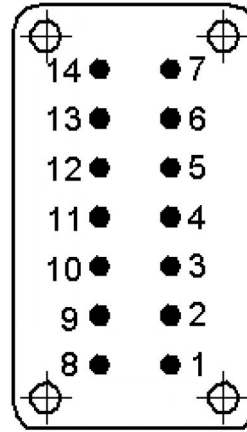
Product Management	Document: EPIC® STA 14 Screw termination	1 / 2
--------------------	--	-------

U.I. Lapp GmbH	<h1>DATASHEET</h1>	
	<b>EPIC® STA 14 Screw termination</b>	10493100 14.11.2013



M

F



Product Management	Document: EPIC® STA 14 Screw termination	2 / 2
--------------------	--	-------