

U.I. Lapp GmbH	DATASHEET	
	EPIC® STA 6 Screw termination	10488100 14.11.2013

The proven STA inserts for screw termination and solder termination.
 STA inserts - proven by the strong contact springs.
 The proven STA inserts for screw termination and solder termination.



Industrial machinery and plant engineering

Application range

Control systems
 Rack technology
 Electronic laboratory

Remark

Photographs are not to scale and do not represent detailed images of the respective products.

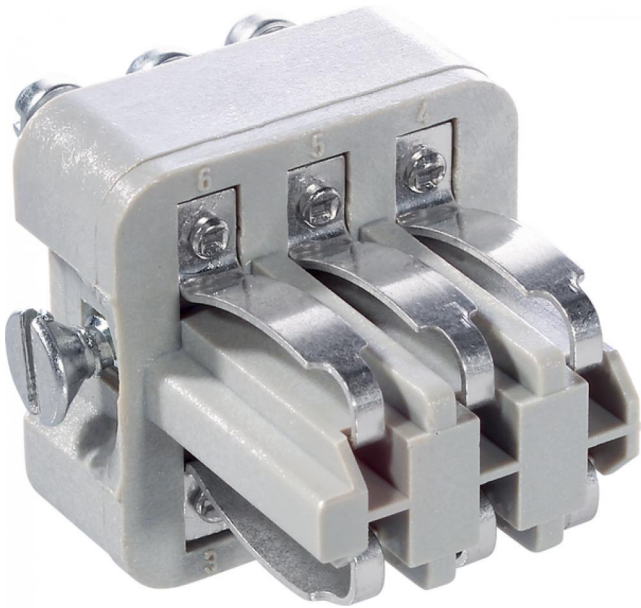
Technical Data

Article:	STA 6 FS
Version:	female
Contacts:	1 - 6
Pieces / PU:	10
Rated voltage (V):	IEC: 24 B AC, 60 B DC UL: 48 B CSA: 48 B
Rated current (A):	IEC: 10 A UL: 10 A CSA: 10 A
Contact resistance:	< 3 mOhm
Contacts:	Copper alloy, tinned
Number of contacts:	6
Termination methods:	Screw termination: 0.5 - 1.5 mm ²
Cycle of mechanical operation:	100
Temperature range:	-40°C až +80°C
Degree of soiling:	2



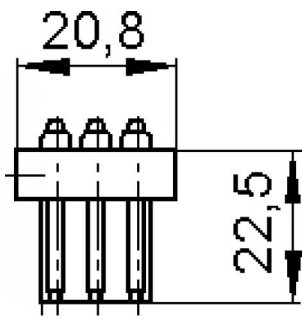
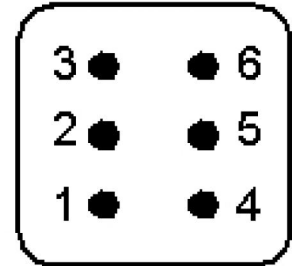
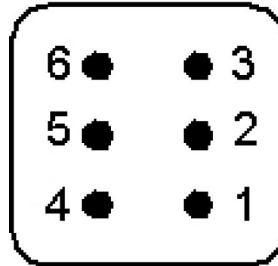
Product Management	Document: EPIC® STA 6 Screw termination	1 / 2
--------------------	---	-------

U.I. Lapp GmbH	<h1>DATASHEET</h1>	
	EPIC® STA 6 Screw termination	10488100 14.11.2013

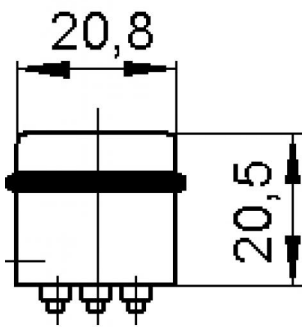
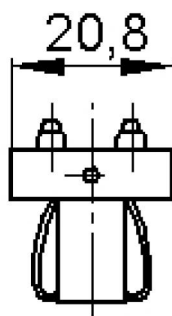


M

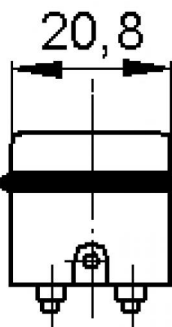
F



M



F



Product Management	Document: EPIC® STA 6 Screw termination	2 / 2
--------------------	---	-------