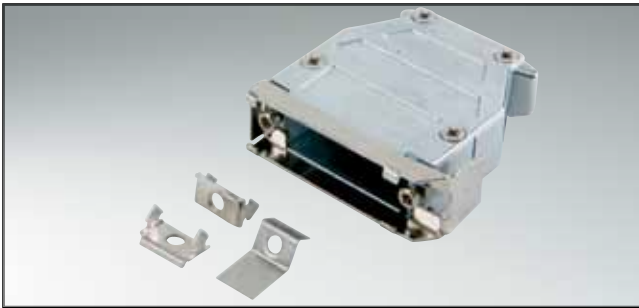


# D-SUB Metal Hood

## Variable cable entries – 9-50 pos. – Slide lock



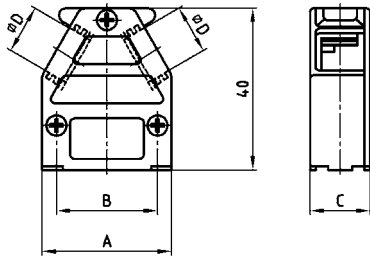
RoHS compliant – CSA listed, File No.: LR 115000-1 – UL listed, File No.: E202784

### Description

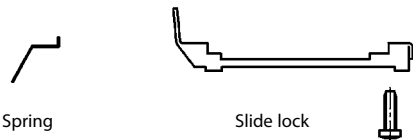
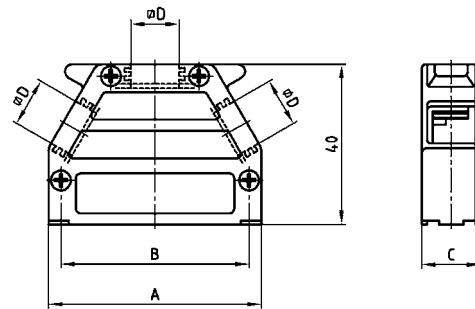
- Zinc die-cast hood, EMI/RFI shielding
- Design:
  - 9 pos. = two sided cable entries,
  - 15-50 pos. = three cable entries
- Delivery includes: Hood, blanking plugs, screws for assembly, grounding screw, slide lock, spring
- Cable clamp must be ordered separately
- Packaging: in bulk or in pack units as a single package

### Product drawing

9 pos.



15-50 pos.



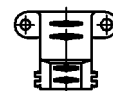
Spring

Slide lock



Locking hooks for slide lock

No. of pos.	A	B	C	∅ D
09	32.00	25.00	14.80	12.10
15	39.30	33.30	14.80	12.10
25	53.20	47.04	14.80	12.10
37	69.50	63.50	14.80	12.10
50	67.00	61.10	17.80	14.60



Cable clamp

### Order data

D-SUB Metal hood – Variable cable entries			D-SUB Metal hood – Cable clamp – Slide lock		
No. of pos.	Design	Part Number	No. of pos.	Design	Part Number
09	Hood / Two side cable entries	165X11659X	09-37	Cable clamp, accept cable diameter from 3 to 12 mm	160X11189X
15	Hood / Three cable entries	165X11669X	50	Cable clamp, accept cable diameter from 5 to 14 mm	160X11199X
25	Hood / Three cable entries	165X11679X	09-37	Locking hooks for slide lock	165X10119X
37	Hood / Three cable entries	165X11689X	50	Locking hooks for slide lock	16-001880
50	Hood / Three cable entries	165X11699X			

For single packaged add the letter „E“ at the end of the part number.