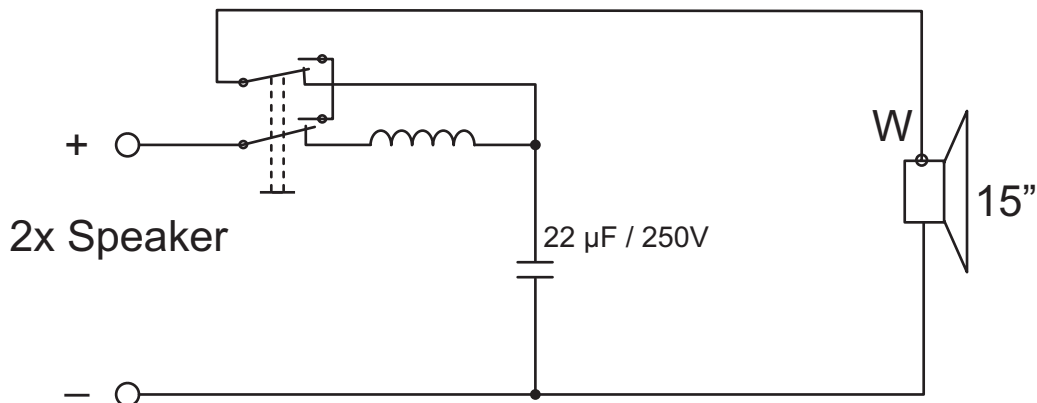
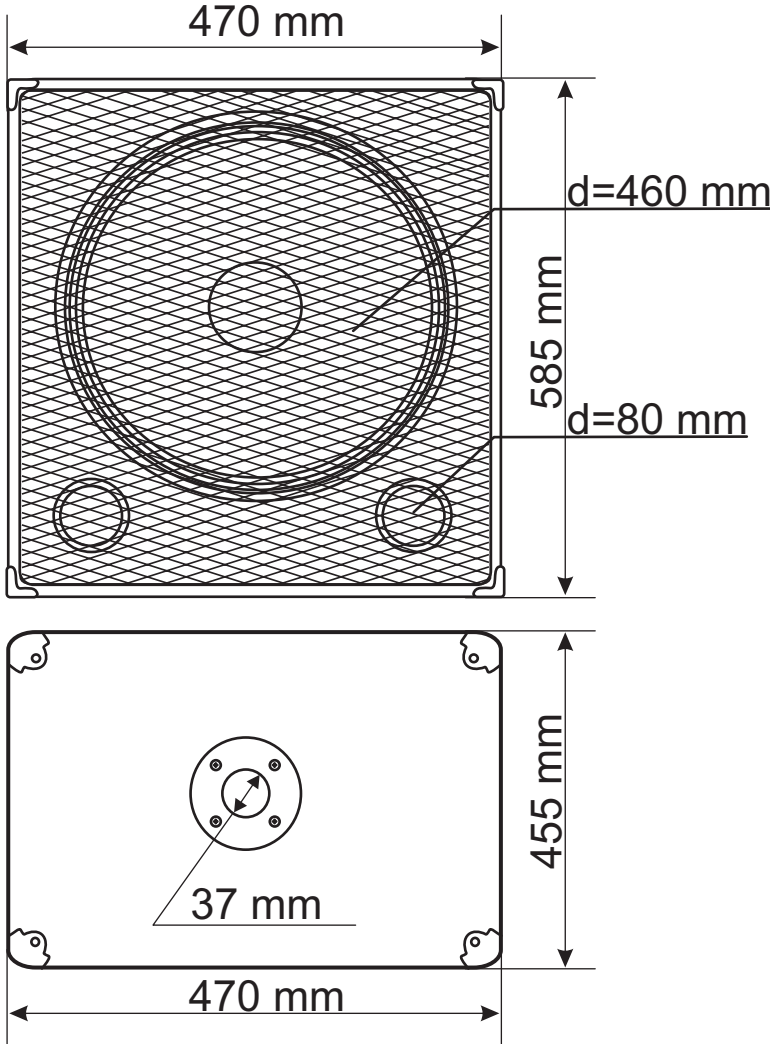




www.omnitronic.com

OMNITRONIC BX-1550 Subwoofer, 800 W
No. 11037711



CAUTION
Avoid injury.
 Read and understand user manual before operating this product. Operation only by a trained person.

DANGER
Impact hazard.
 This speaker-system must never be suspended! Danger to life due to crushing speaker-systems.

CAUTION
Fire hazard.
 Keep away cigarettes, open fire, heaters etc. Treat the surface with fire retardant in regular intervals.

WARNING
Loud noise hazard.
 Ear protection must be worn.